

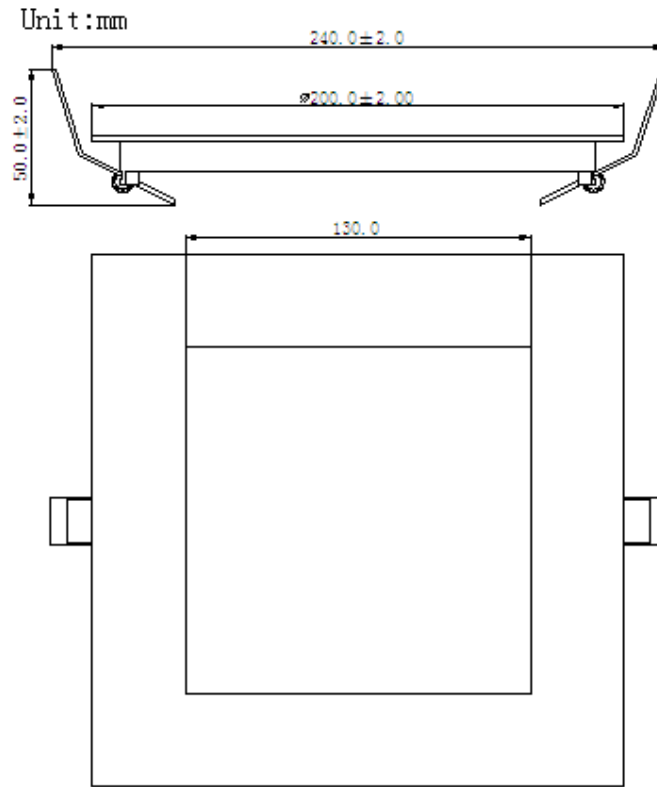
Светильник 24-LED 200x200-10W Warm White 220V



SPECIFICATION:

	Symbol	Values					Unit
		Min	Typ	Max			
Input voltage	Vin	85	220	264			V _{DC}
Input current (Bright)	Iin	0.049	0.055	0.120			A
Oscillation Frequency	f	47-63					Hz
Conversion efficiency	η	≥80%					
Power Consumption (MAX)	P	10					W
LED QTY	--	24					PCS
CRI	Ra	≥80					
Product life	H	50 000Hr					
Lamp shell		Aluminum					
Protection class	IP	IP20					--
Base		CON					
Center illuminance	E	Height 1m(CW)	Height 1.5m(CW)	Height 2m(CW)	Height 2.5m(CW)	Height 3m(CW)	LX
		--	--	--	--	--	
CCT	--	3000					K
Luminous efficiency	η	40-45					Lm/W
Lumunous flux (MAX)	Φ	400-450					Lm
Viewing Angle	--	120					Deg
Operating Humidity	RH	25%			95%	%	
Light source failure		3000Hr≤8%			30000Hr≤20%		%
Operating Temperature	Topr	-20	25	40		°C	
SAFETY&EMC	WITHSTAND VOLTAGE	I/P-Enclosure:1.5KVAC					
	EMI Radiation	Compliance to EN55015					--
Net weight		0.53					kg
Gross weight		0.62					kg

MECHANICAL SPECIFICATION:



BLOCK DIAGRAM:

