

# SHOULDER ELECTRONICS LIMITED

---

## 1. SPECIFICATION

FREQUENCY RANGE	3.579545-60.000MHz
LOAD CAPACITANCE	10PF TO SERIES
FREQUENCY TOLERANCE AT 25°C	-/+30PPM MAXIMUM
FREQUENCY STABILITY AT -20 TO +70 °C	-/+30PPM MAXIMUM
OPERATING TEMPERATURE RANGE	-10 TO +60 °C
STORAGE TEMPERATURE RANGE	-40 TO +85 °C
EQUIVALENT SERIES RESISTANCE (ESR)	SEE ESR TABLE
DRIVE LEVEL	1.0 mW MAXIMUM
SHUNT CAPACITANCE	7PF MAXIMUM
AGING	-/+5PPM PER YEAR
INSULATION RESISTANCE	500 MOhm MINIMUM

## 2. FREQUENCY RANGE AND OSCILLATION MODE

FUNDAMENTAL (F)	THIRD OVERTONE (3OT)
3.579545-30.000MHz	24.000-60.000MHz

## 3. PART NUMBERING SYSTEM

HOLDER TYPE	FREQUENCY	MODE	LOAD CAPACITANCE	FREQUENCY TOLERANCE AT 25°C	FREQUENCY STABILITY AT -10 TO +60 °C
3X9 (10)	IN MHz	F 3OT	10 TO 33PF FOR PARALLEL S FOR SERIES	30 FOR -/+30PPM	30 FOR -/+30PPM

OPERATING TEMPERATURE RANGE	OPTIONS
B FOR -10 TO +60 °C	

FUNDAMENTAL MODE NOT NEEDED IN PART NUMBER

30PPM OF FREQUENCY TOLERANCE AND FREQUENCY STABILITY NOT NEEDED IN PART NUMBER

-10 TO +60 °C OF OPERATING TEMPERATURE RANGE NOT NEEDED IN PART NUMBER

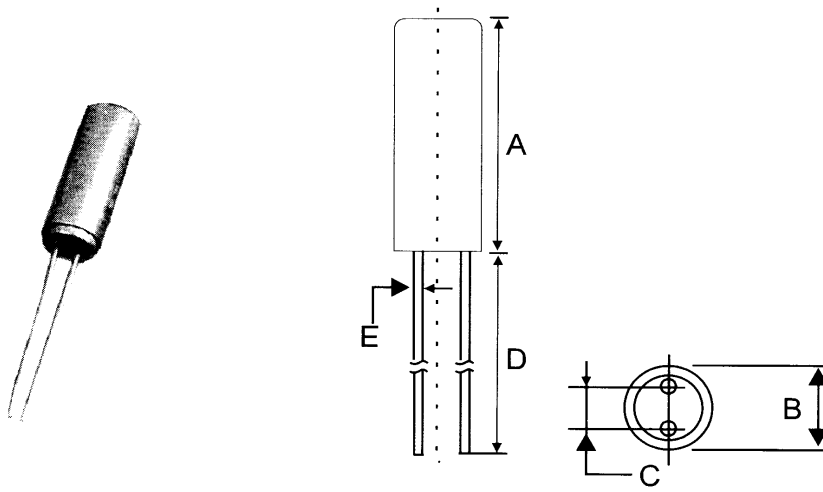
## 4. ESR TABLE (Ohm)

3.5-4.0 MHz	4.0-8.0 MHz	8.0-14 MHz	14-24 MHz	>24 MHz
150	100	60	40	40 (F) 80 (3OT)

# SHOULDER ELECTRONICS LIMITED

---

## 5. DIMENSIONS



	A	B	C	D	E
3X9	9.0	3.0	1.1	10.0	3.0
3X10	10.0	3.0	1.1	10.0	3.0