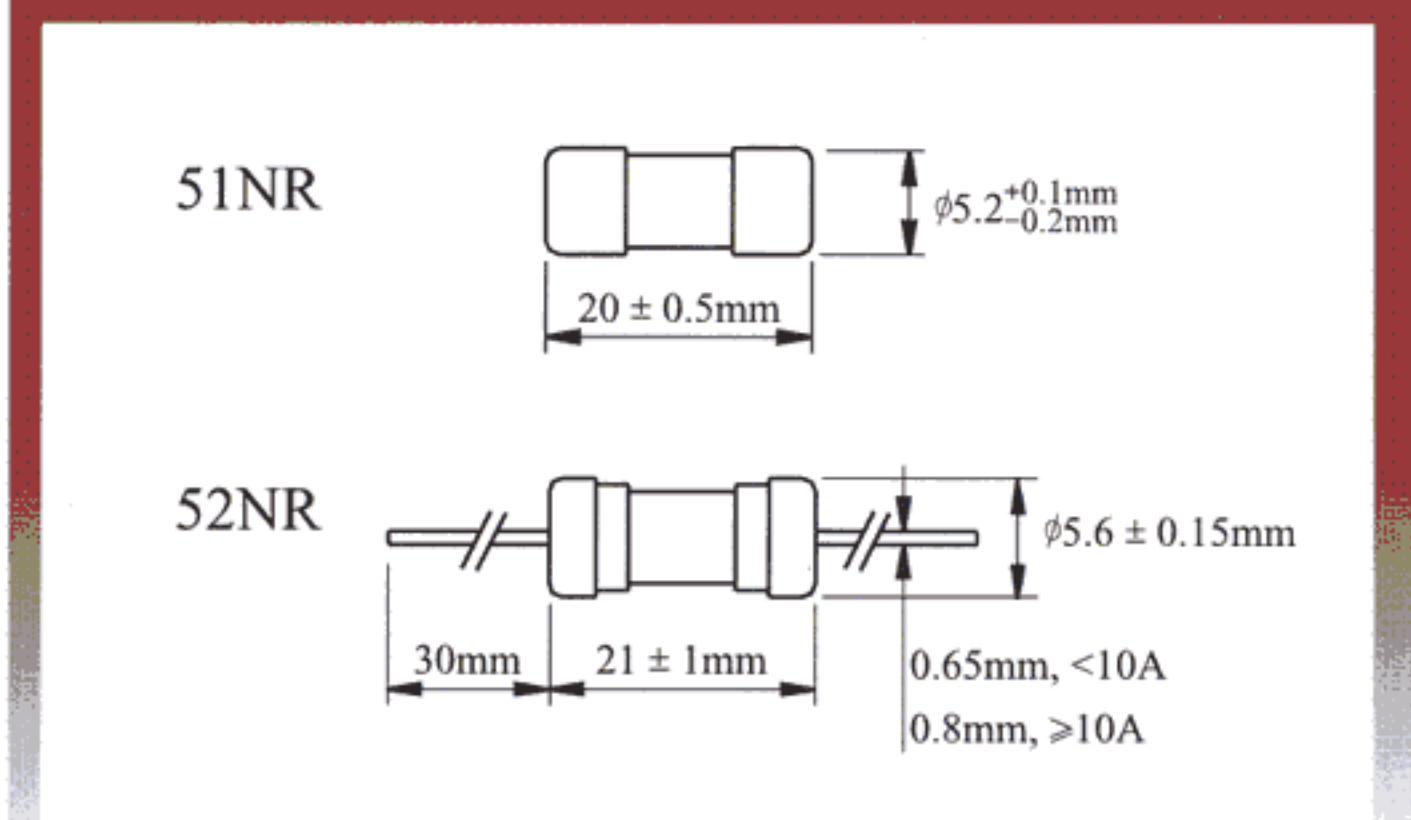
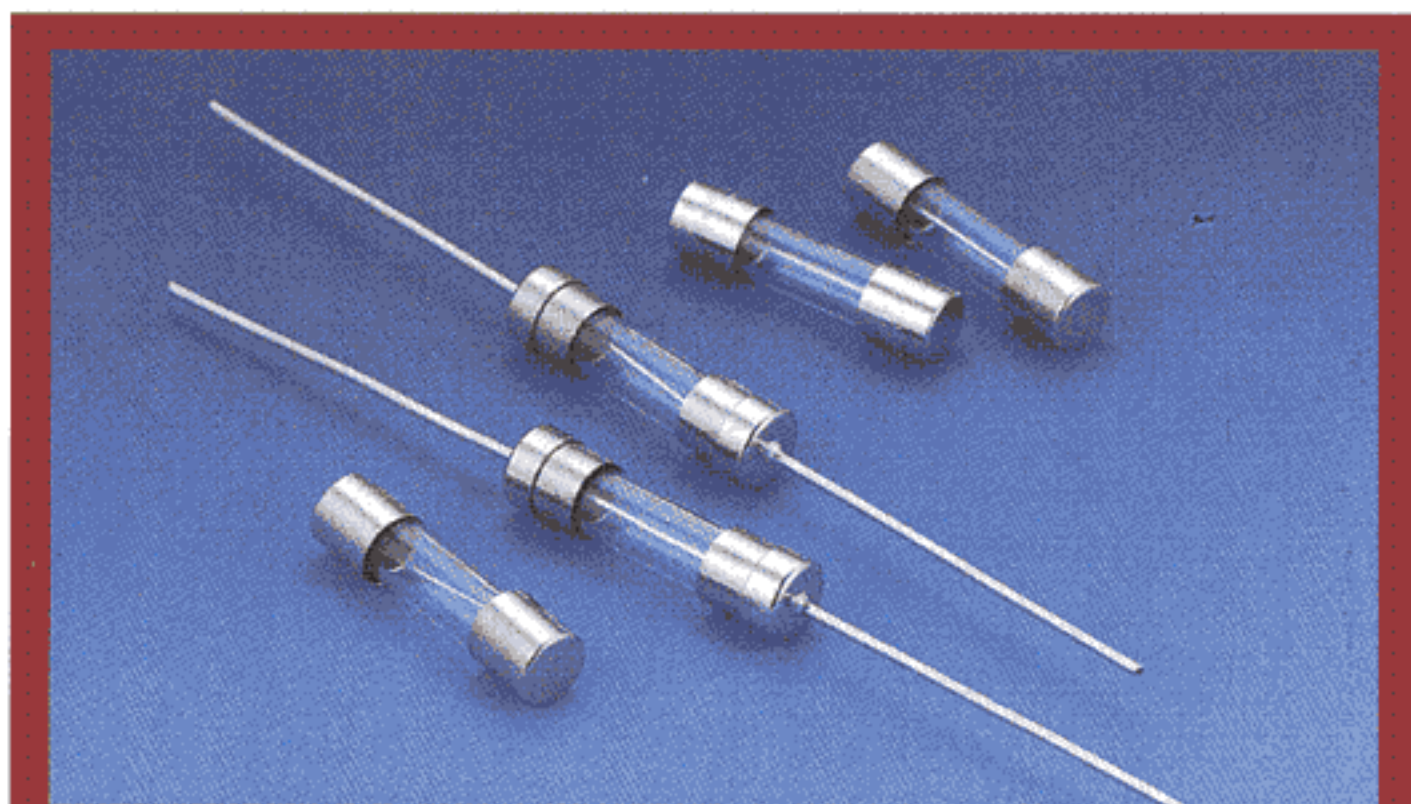
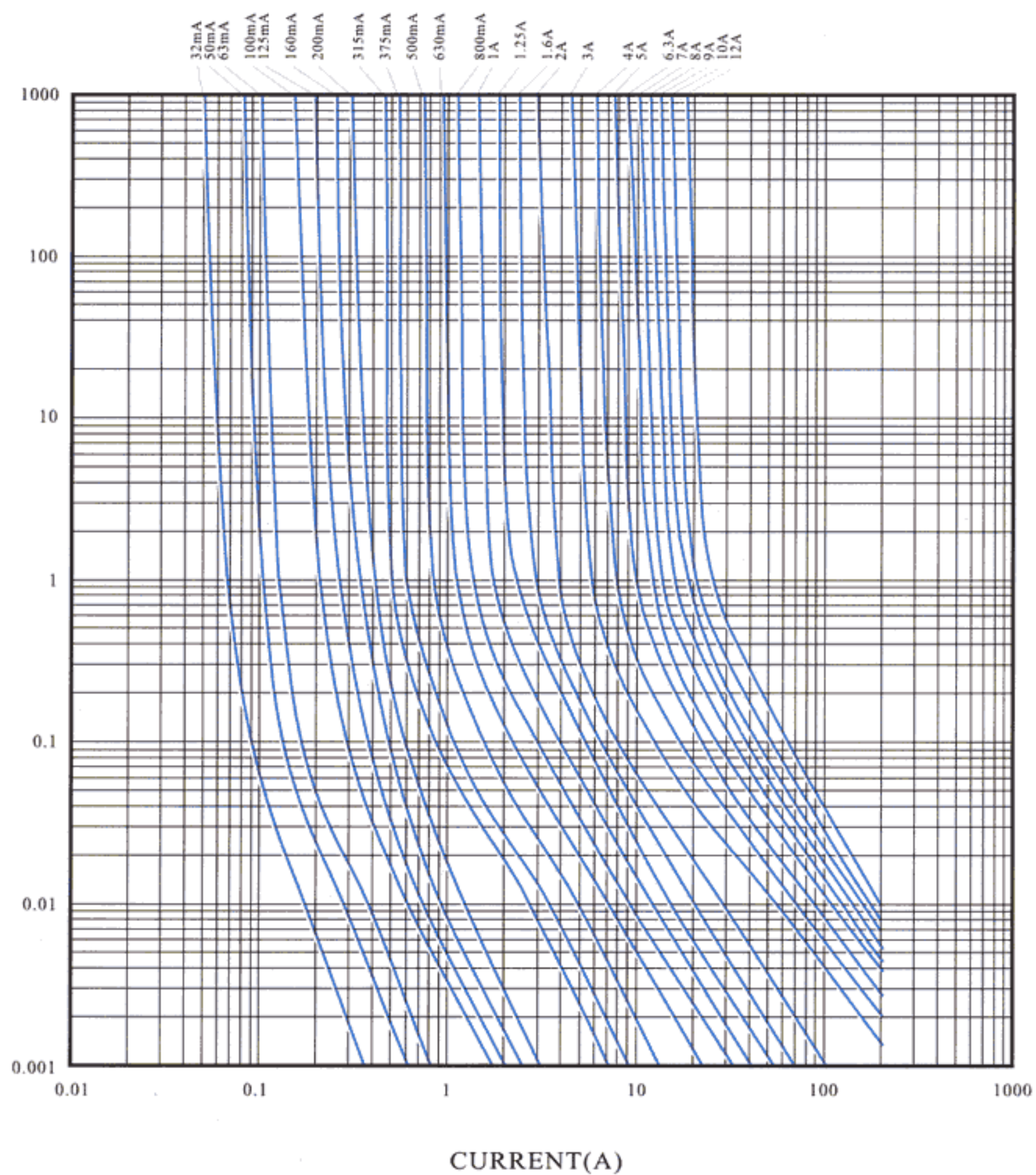


51NR,52NR $5.2^{\phi} \times 20$

GLASS TUBE FUSE (FAST-BLOW)



I-T CHARACTERISTICS CURVE



CATALOG NO.	AMPERE RATING	APPROVALS			I ² T REFERENCE (A ² .S)
		PSE		KTL	
		H	L	H	
0100H/L	100mA			●	0.0033
0125H/L	125mA			●	0.0050
0150H/L	150mA			●	0.0066
0160H/L	160mA			●	0.0074
0175H/L	175mA			●	0.0088
0200H/L	200mA			●	0.015
0250H/L	250mA			●	0.042
0300H/L	300mA			●	0.061
0315H/L	315mA			●	0.074
0350H/L	350mA			●	0.10
0375H/L	375mA			●	0.12
0400H/L	400mA			●	0.15
0500H/L	500mA			●	0.21
0600H/L	600mA			●	0.44
0630H/L	630mA			●	0.51
0700H/L	700mA			●	0.66
0750H/L	750mA			●	0.74
0800H/L	800mA			●	0.81
010H/L	1A	●	●	●	1.5
012H/L	1.2A	●	●	●	1.8
013H/L	1.25A	●	●	●	2.0
015H/L	1.5A	●	●	●	3.2
016H/L	1.6A	●	●	●	3.9
020H/L	2A	●	●	●	12
025H/L	2.5A	●	●	●	22
030H/L	3A	●	●	●	33
032H/L	3.15A	●	●	●	39
035H/L	3.5A	●	●	●	43
040H/L	4A	●	●	●	51
050H/L	5A	●	●	●	80
060H/L	6A	●	●	●	97
063H/L	6.3A	●	●	●	135
070H/L	7A	●	●	●	157
080H/L	8A	●	●	●	205
090H/L	9A	●	●	●	245
100H/L	10A	●	●	●	304
120H/L	12A	●	●	●	353
150H/L	15A	●	●	●	595

H DENOTES FOR 250V
 L DENOTES FOR 125V
 ● DENOTES FOR APPROVED

INTERRUPTING RATING:
 500 amperes at 125V AC (1A-15A)
 100 amperes at 250V AC (100mA-15A)

ELECTRICAL CHARACTERISTICS:

RATING	BLOWING TIME
130%	1 hour Min
160%	1 hour Max
200%	120 sec Max