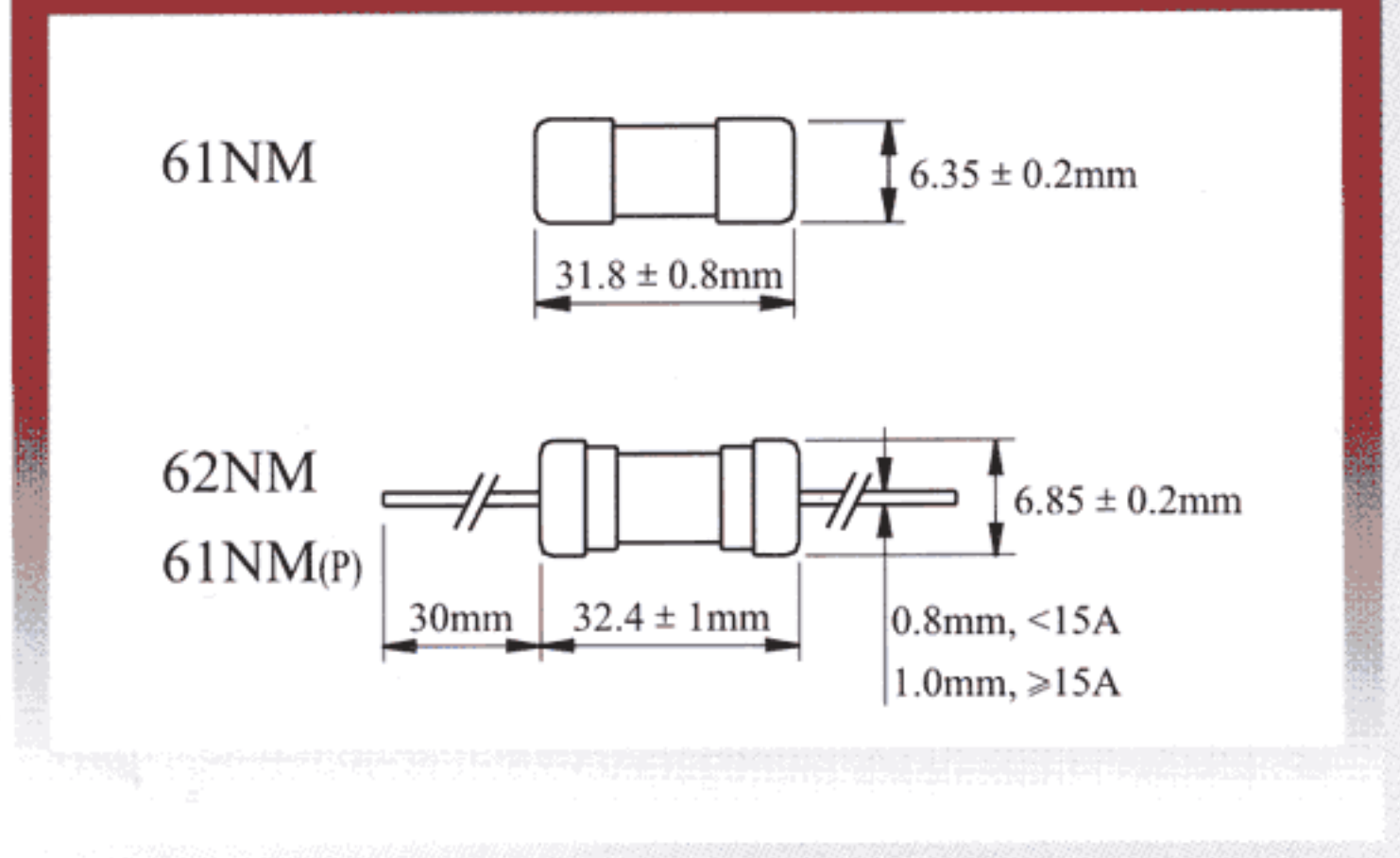
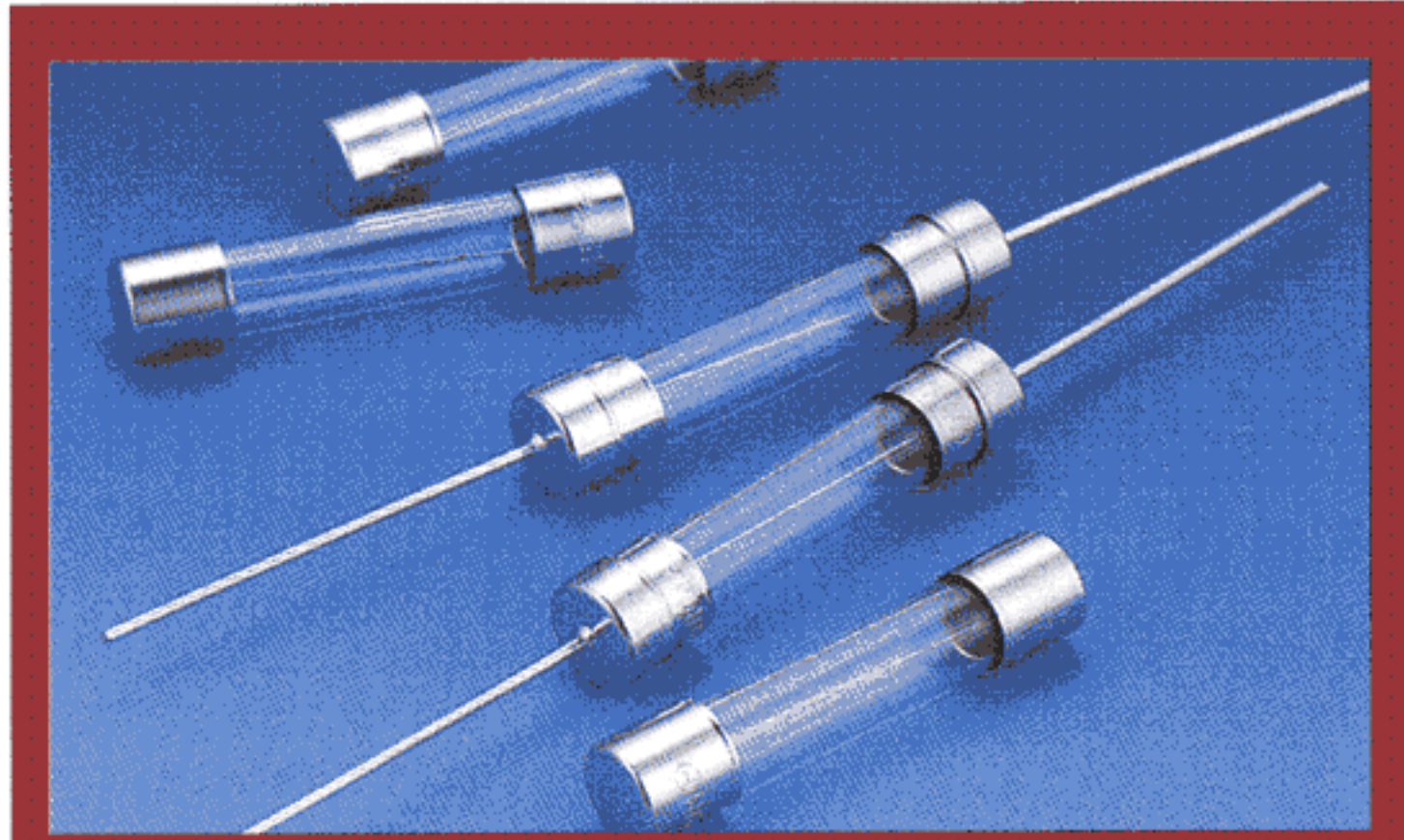
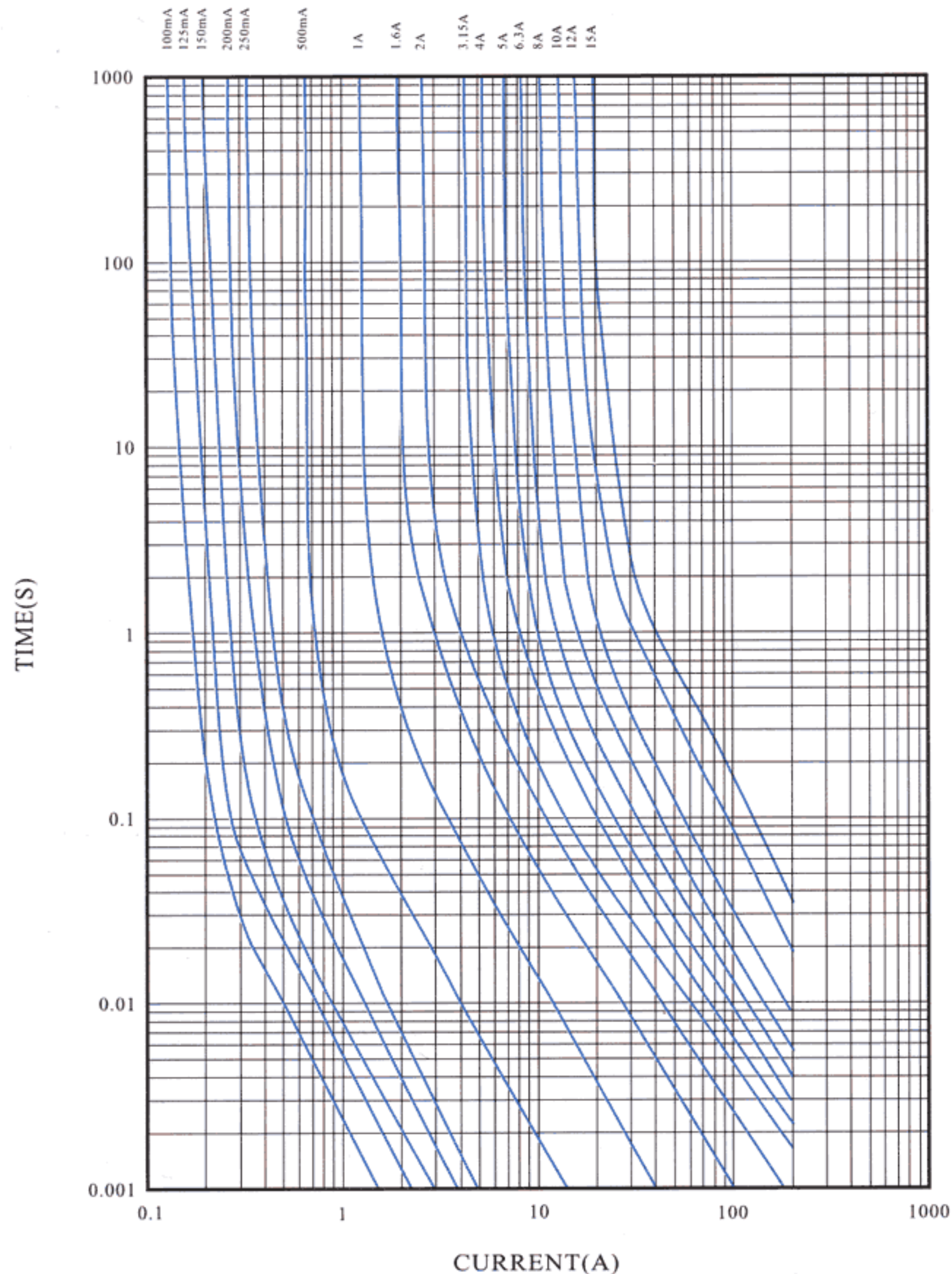


61NM,62NM 6.35 ϕ × 32

GLASS TUBE FUSE (FAST-BLOW)



I-T CHARACTERISTICS CURVE



CATALOG NO.	AMPERE RATING	APPROVALS								I ² T REFERENCE (A ² .S)
		UL		CSA		PSE		KTL		
		H	L	H	L	H	L	H		
0032H/L	32mA	●	●	●	●					0.00031
0050H/L	50mA	●	●	●	●					0.00087
0063H/L	63mA	●	●	●	●					0.0014
0080H/L	80mA	●	●	●	●					0.0018
0100H/L	100mA	●	●	●	●			●		0.0026
0125H/L	125mA	●	●	●	●			●		0.0059
0150H/L	150mA	●	●	●	●			●		0.0082
0160H/L	160mA	●	●	●	●			●		0.010
0200H/L	200mA	●	●	●	●			●		0.019
0250H/L	250mA	●	●	●	●			●		0.026
0300H/L	300mA	●	●	●	●			●		0.052
0315H/L	315mA	●	●	●	●			●		0.058
0350H/L	350mA	●	●	●	●			●		0.075
0400H/L	400mA	●	●	●	●			●		0.12
0500H/L	500mA	●	●	●	●			●		0.17
0600H/L	600mA	●	●	●	●			●		0.38
0630H/L	630mA	●	●	●	●			●		0.45
0750H/L	750mA	●	●	●	●			●		0.68
0800H/L	800mA	●	●	●	●			●		0.92
010H/L	1A	●	●	●	●	●	●	●		1.8
012H/L	1.2A	●	●	●	●	●	●	●		2.5
013H/L	1.25A	●	●	●	●	●	●	●		2.7
015H/L	1.5A	●	●	●	●	●	●	●		4.3
016H/L	1.6A	●	●	●	●	●	●	●		7.7
020H/L	2A	●	●	●	●	●	●	●		20
025H/L	2.5A	●	●	●	●	●	●	●		31
030H/L	3A	●	●	●	●	●	●	●		36
032H/L	3.15A	●	●	●	●	●	●	●		39
035H/L	3.5A	●	●	●	●	●	●	●		49
040H/L	4A	●	●	●	●	●	●	●		58
050H/L	5A	●	●	●	●	●	●	●		100
060H/L	6A	●	●	●	●	●	●	●		150
063H/L	6.3A	●	●	●	●	●	●	●		173
070H/L	7A	●	●	●	●	●	●	●		214
080H/L	8A	●	●	●	●	●	●	●		265
090H/L	9A	●	●	●	●	●	●	●		335
100H/L	10A	●	●	●	●	●	●	●		413
120H/L	12A					●	●			2000
150H/L	15A					●	●			2880

H DENOTES FOR 250V
 L DENOTES FOR 125V
 ● DENOTES FOR APPROVED

INTERRUPTING RATING

- 10,000 amperes at 125V AC (32mA-10A)
- 35 amperes at 250V AC (32mA-1A)
- 100 amperes at 250V AC (1.2A-3.5A)
- 200 amperes at 250V AC (4A-10A)
- 500 amperes at 125V AC (1A-15A) PSE
- 100 amperes at 250V AC (100mA-15A) PSE,KTL

ELECTRICAL CHARACTERISTICS:

RATING	BLOWING TIME
100%	4 hours Min
135%	1 hour Max
200%	5 sec Max