

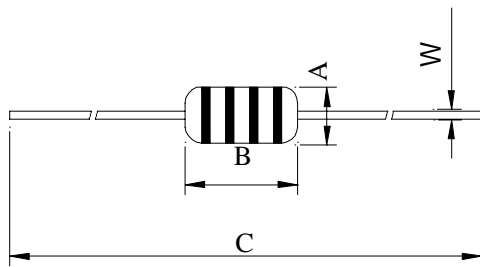
SPECIFICATION FOR APPROVAL

REF :

PAGE: 1

PROD. NAME	AXIAL INDUCTOR	ABC'S DWG NO.	AA0410□□□□L□-□□□
		ABC'S ITEM NO.	

. CONFIGURATION & DIMENSIONS :

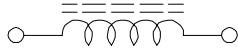


A	: 4.0 max.	m/m
B	: 10.5 max.	m/m
C	: 61.0 ref.	m/m
W	: 0.65	m/m

Color code :

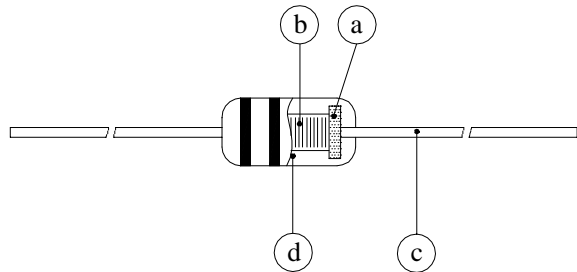
- 1st Color : First Significant Figure
- 2nd Color : Second Significant Figure
- 3rd Color : Multiplier
- 4th Color : Tolerance

. SCHEMATIC DIAGRAM :



. MATERIALS :

- a . Core : Ferrite DR core
- b . Wire : Enamelled copper wire (class B)
- c . Terminal : Cu/Ni/Sn
- d . Coating : Epoxy resin
- e . Remark : Products comply with RoHS' requirements



. GENERAL SPECIFICATION :

- a . Temp. rise : 20 max.
- b . Ambient temp : 60 max.
- c . Operating temp : -20 ---- 80
- d . Terminal tensile strength : 2.5 KG min
- e . Terminal bending strength : 0.5 KG min
- f . Dielectric withstanding voltage : 250 Vrms
- g . Rated current : Base on temp rise

SPECIFICATION FOR APPROVAL

REF :

PAGE: 2

PROD. NAME	AXIAL INDUCTOR	ABC'S DWG NO.	AA0410□□□□L□-□□□
		ABC'S ITEM NO.	

ELECTRICAL CHARACTERISTICS :

DWG No.	Inductance		Q min.	Test Freq. (MHz)	SRF (MHz) min	RDC (Ω) max	IDC (mA) max	Color Code			
	(μH)	Tol.						1st	2nd	3rd	4th
AA0410R10ML□-□□□	0.10	±20%	50	25.2	480.0	0.06	1700	BN	BK	SIL	—
AA0410R12ML□-□□□	0.12	±20%	50	25.2	450.0	0.06	1640	BN	R	SIL	—
AA0410R15ML□-□□□	0.15	±20%	50	25.2	420.0	0.07	1560	BN	GN	SIL	—
AA0410R18ML□-□□□	0.18	±20%	50	25.2	400.0	0.07	1480	BN	GY	SIL	—
AA0410R22ML□-□□□	0.22	±20%	50	25.2	380.0	0.08	1400	R	R	SIL	—
AA0410R27ML□-□□□	0.27	±20%	50	25.2	340.0	0.09	1320	R	V	SIL	—
AA0410R33ML□-□□□	0.33	±20%	50	25.2	300.0	0.10	1280	O	O	SIL	—
AA0410R39ML□-□□□	0.39	±20%	50	25.2	280.0	0.12	1200	O	W	SIL	—
AA0410R47ML□-□□□	0.47	±20%	50	25.2	250.0	0.13	1150	Y	V	SIL	—
AA0410R56ML□-□□□	0.56	±20%	50	25.2	230.0	0.14	1100	GN	BU	SIL	—
AA0410R68ML□-□□□	0.68	±20%	50	25.2	210.0	0.15	1030	BU	GY	SIL	—
AA0410R82ML□-□□□	0.82	±20%	50	25.2	172.0	0.16	980	GY	R	SIL	—
AA0410I1R0KL□-□□□	1.00	±10%	50	25.2	157.0	0.17	920	BN	BK	GD	SIL
AA0410I1R2KL□-□□□	1.20	±10%	50	7.96	144.0	0.18	880	BN	R	GD	SIL
AA0410I1R5KL□-□□□	1.50	±10%	50	7.96	131.0	0.20	830	BN	GN	GD	SIL
AA0410I1R8KL□-□□□	1.80	±10%	50	7.96	121.0	0.22	790	BN	GY	GD	SIL
AA0410I2R2KL□-□□□	2.20	±10%	50	7.96	110.0	0.24	750	R	R	GD	SIL
AA0410I2R7KL□-□□□	2.70	±10%	60	7.96	100.0	0.25	720	R	V	GD	SIL
AA0410I3R3KL□-□□□	3.30	±10%	60	7.96	94.0	0.30	670	O	O	GD	SIL
AA0410I3R9KL□-□□□	3.90	±10%	60	7.96	86.0	0.35	640	O	W	GD	SIL
AA0410I4R7KL□-□□□	4.70	±10%	70	7.96	80.0	0.40	620	Y	V	GD	SIL
AA0410I5R6KL□-□□□	5.60	±10%	70	7.96	74.0	0.45	590	GN	BU	GD	SIL
AA0410I6R8KL□-□□□	6.80	±10%	70	7.96	68.0	0.50	550	BU	GY	GD	SIL
AA0410I8R2KL□-□□□	8.20	±10%	80	7.96	53.0	0.60	530	GY	R	GD	SIL
AA0410I100KL□-□□□	10.00	±10%	80	7.96	40.0	0.65	500	BN	BK	BK	SIL
AA0410I120KL□-□□□	12.00	±10%	70	2.52	34.0	0.70	480	BN	R	BK	SIL
AA0410I150KL□-□□□	15.00	±10%	70	2.52	20.0	0.75	460	BN	GN	BK	SIL
AA0410I180KL□-□□□	18.00	±10%	60	2.52	14.0	0.80	430	BN	GY	BK	SIL
AA0410I220KL□-□□□	22.00	±10%	60	2.52	9.9	0.90	410	R	R	BK	SIL
AA0410I270KL□-□□□	27.00	±10%	50	2.52	7.6	1.00	390	R	V	BK	SIL
AA0410I330KL□-□□□	33.00	±10%	50	2.52	6.5	1.10	370	O	O	BK	SIL
AA0410I390KL□-□□□	39.00	±10%	50	2.52	6.5	1.20	350	O	W	BK	SIL
AA0410I470KL□-□□□	47.00	±10%	45	2.52	6.3	1.30	340	Y	V	BK	SIL
AA0410I560KL□-□□□	56.00	±10%	45	2.52	6.2	1.50	320	GN	BU	BK	SIL
AA0410I680KL□-□□□	68.00	±10%	40	2.52	5.7	1.80	305	BU	GY	BK	SIL
AA0410I820KL□-□□□	82.00	±10%	35	2.52	5.3	2.00	290	GY	R	BK	SIL
AA0410I101KL□-□□□	100.00	±10%	30	2.52	4.8	2.50	275	BN	BK	BN	SIL
AA0410I121KL□-□□□	120.00	±10%	60	0.796	3.8	3.00	185	BN	R	BN	SIL
AA0410I151KL□-□□□	150.00	±10%	60	0.796	3.5	4.00	175	BN	GN	BN	SIL
AA0410I181KL□-□□□	180.00	±10%	60	0.796	3.0	4.50	165	BN	GY	BN	SIL
AA0410I221KL□-□□□	220.00	±10%	60	0.796	2.8	5.00	155	R	R	BN	SIL
AA0410I271KL□-□□□	270.00	±10%	60	0.796	2.6	6.00	145	R	V	BN	SIL
AA0410I331KL□-□□□	330.00	±10%	60	0.796	2.4	6.50	137	O	O	BN	SIL
AA0410I391KL□-□□□	390.00	±10%	55	0.796	2.0	7.50	133	O	W	BN	SIL
AA0410I471KL□-□□□	470.00	±10%	50	0.796	1.8	8.50	126	Y	V	BN	SIL
AA0410I561KL□-□□□	560.00	±10%	50	0.796	1.6	9.50	120	GN	BU	BN	SIL
AA0410I681KL□-□□□	680.00	±10%	45	0.796	1.6	12.00	113	BU	GY	BN	SIL
AA0410I821KL□-□□□	820.00	±10%	45	0.796	1.4	14.00	105	GY	R	BN	SIL
AA0410I102KL□-□□□	1000.00	±10%	40	0.796	1.2	20.00	85	BN	BK	R	SIL

1). □ : Package Information-- [A] : Bulk [B] : Taping / Box [C] : Taping / Reel

2). "- □□□ " : Reference code

3). Test Equipment : HP4342A Q Meter or Equivalent

SPECIFICATION FOR APPROVAL

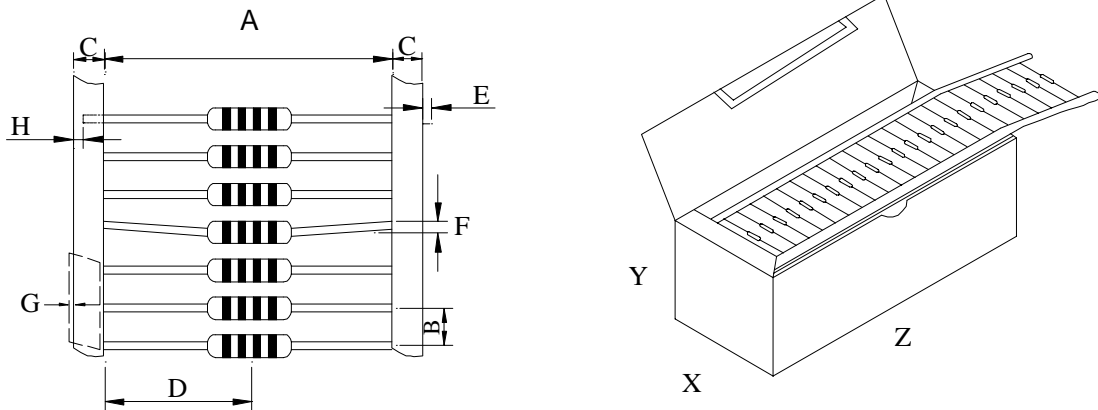
REF :

PAGE: 3

PROD. NAME	AXIAL INDUCTOR	ABC'S DWG NO.	AA0410□□□□L□-□□□
		ABC'S ITEM NO.	

. PACKAGING INFORMATION FOR ALA HORIZONTAL TAPING IN BOX

(1) Configuration



(2) Dimensions

Unit:m/m

Style	Item	Specification	Item	Specification
T 26	A	26.00±1.50	B	5.00±0.50
	D	13.00±0.50	C	6.00±1.00
	X	50.00±1.50	E	0.50 (max)
	H	2.50 (max)		
T 52	A	52.00±1.50	F	1.00 (max)
	D	26.00±1.50	G	1.00 (max)
	X	76.00±1.50	H	2.50 (max)

(3) Q'TY & G.W. Per package

Series	Inner : Box			Outer : Carton		
	Q'TY (pcs)	G.W. (gw)	Size (m/m)	Q'TY (pcs)	G.W. (Kg)	Size (cm)
AA0410	2,000	600	250x 75 x 100	24,000	8.0	37.6 x 26.6 x 34.5

AR-001A



SPECIFICATION FOR APPROVAL

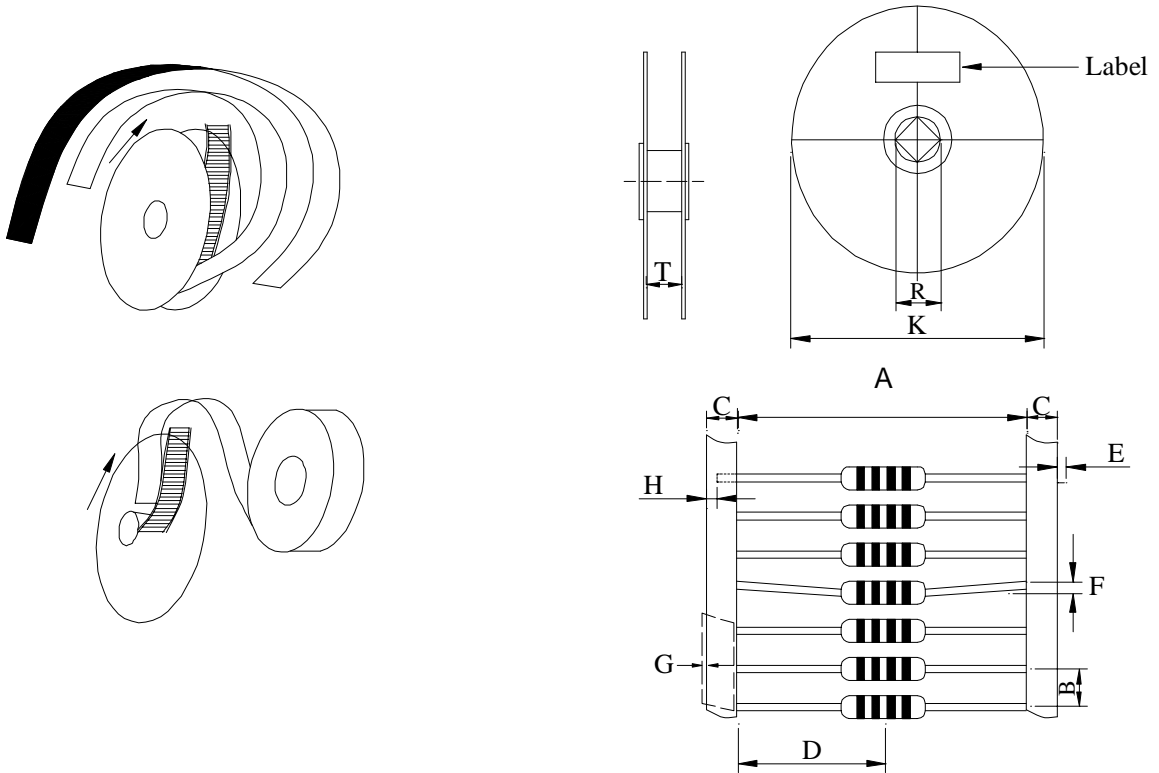
REF :

PAGE: 4

PROD. NAME	AXIAL INDUCTOR	ABC'S DWG NO. ABC'S ITEM NO.	AA0410□□□□L□-□□□
---------------	----------------	---------------------------------	------------------

. PACKAGING INFORMATION FOR ALA HORIZONTAL TAPING IN REEL

(1) Configuration



(2) Dimensions

Unit:m/m

Item	Specification	Item	Specification
A	52.00±1.50	F	1.00 (max)
B	5.00±0.50	G	1.00 (max)
C	6.00±1.00	K	355.00±0.50
D	26.00±1.50	R	15.00±0.50
E	0.50 (max)	T	71.00±3.00
H	2.50 (max)		

(3) Q'TY & G.W. Per package

Series	Inner : Reel			Outer : Carton		
	Q'TY (pcs)	G.W. (gw)	Size (m/m)	Q'TY (pcs)	G.W. (Kg)	Size (cm)
AA0410	5,000	2,000	370 x 370 x 85	20,000	10.0	37.9 x 37.9 x 37.3

AR-001A

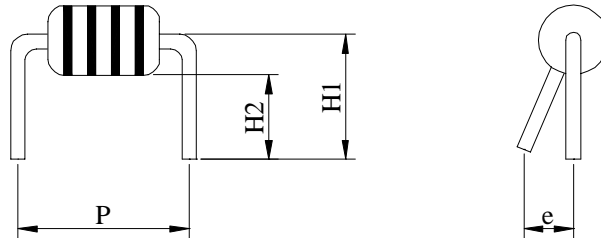
SPECIFICATION FOR APPROVAL

REF :

PAGE: 5

PROD. NAME	AXIAL INDUCTOR	ABC'S DWG NO.	AA0410□□□□L□-□□□
		ABC'S ITEM NO.	

. PACKING FOR FORMING TYPE



Unit : mm

Code	Style	P±0.5	H1±0.5	H2±1	e max.
F	FM Type	12.0	6.5	4.5	1.7

AR-001A

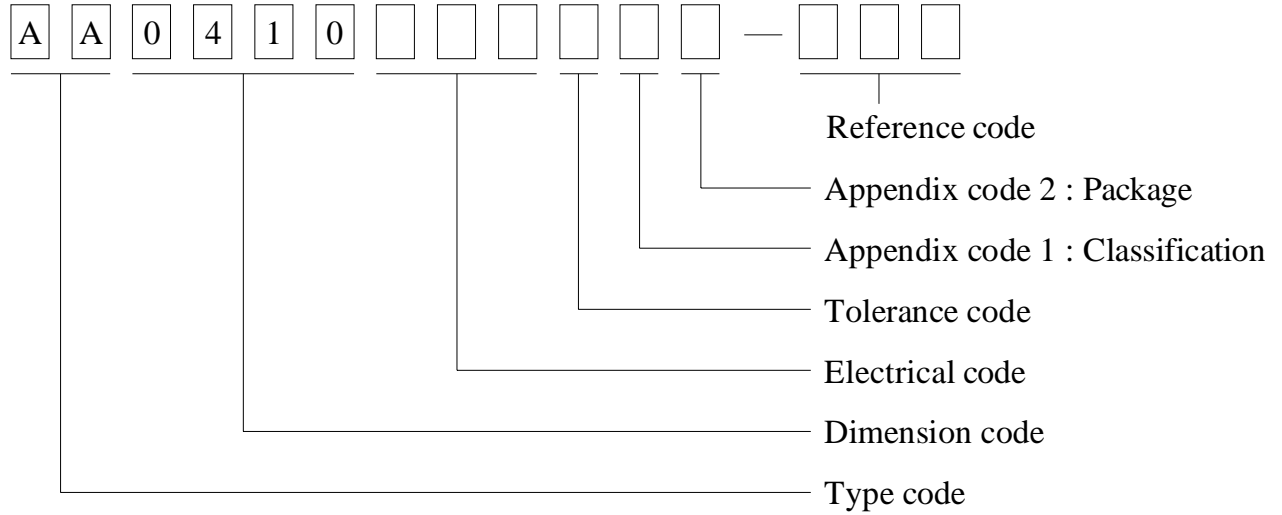
SPECIFICATION FOR APPROVAL

REF :

PAGE: 6

PROD. NAME	AXIAL INDUCTOR	ABC'S DWG NO.	AA0410□□□□L□-□□□
		ABC'S ITEM NO.	

. DWGING NUMBER EXPRESSION :



Appendix code 1 : Product Classification

- L : Lead Free Standard products comply with RoHS' requirements
- 1 ~ 9 : Lead Free Special products comply with RoHS' requirements

Appendix code 2 : Package Information

Code	Inner package	Inner package Q'TY	Remark
A	Bag	1000 pcs	Bag/200pcs
B	T / B (T52 Box package)	2000 pcs	
C	T / R (T52 Reel package)	5000 pcs	
D	T / B (T52 Box package)	2000 pcs	(B=5.08=0.5m/m)
E	T / R (T52 Reel package)	5000 pcs	(B=5.08=0.5m/m)
F	Bag (FM Forming type)	200 pcs	

SPECIFICATION FOR APPROVAL

REF :

PAGE: 7

PROD. NAME	AXIAL INDUCTOR	ABC'S DWG NO.	AA0410□□□□L□-□□□
		ABC'S ITEM NO.	

UL CARD :

OBMW2 September 8, 2000
Magnet Wire-Component

JUNG SHING WIRE CO LTD E174837
231 CHUNG CHENG RD, SEC 3 JEN-TEH HSIANG, TAINAN
HSIEN TAIWAN

Mtl Dsg	Mark Dsg	BC	Coat Typ	OC	ANSI Type	Temp Class
AIW	---	Polyamideimide		---	MW81-C	220
CFUEWB	---	Polyurethane		---	MW75C	130
EIAIW	---	Polyesterimide	Polyamideimide	---	MW35C	200
EILOCKY	---	Polyesterimide	Polyamide	---	---	180
EILOCKW	---	Polyesterimide	Modified Epoxy	---	---	200
EIW	---	Polyesterimide		---	---	220
EIW-2	---	Polyesterimide		---	MW74-C	200
FL.EILOCKY	---	Modified Polyester	Polyamide	---	---	155
LSFFW	---	Polyurethane		---	MW79-C	155
LSUEW	---	Polyurethane		---	---	130
PEW	---	Polyester		---	---	155
PEY	---	Polyester	Nylon	---	MW24-C	155
SF.FLW	---	Modified Polyester		---	MW26C	155
SF.EIW	---	Polyesterimide		---	MW77C	180
SF.BY@	---	Modified Polyester	Nylon	---	MW27-C	155
SF.FLY@	---	Modified Polyester	Nylon	---	MW27-C	155
SF.BLOCKBS	---	Modified Polyester	Modified Polyamide	---	---	155
SF.EILOCKY#	---	Polyesterimide	Polyamide	---	---	180
SF.EILOCKBS	---	Polyesterimide	Modified Polyamide	---	---	180
SF.BW@	---	Modified Polyester		---	MW26C	155
SFFW	---	Polyurethane		---	MW79	155

287806002 Page 1 of 2

A not-for-profit organization dedicated to public safety and committed to quality service

Mtl Dsg	Mark Dsg	BC	Coat Typ	OC	ANSI Type	Temp Class
SFFY	---	Polyurethane		Polyamide	MW80C	155
UEW-1	---	Polyurethane		---	MW2-C	105
UEW-2	---	Polyurethane		---	---	130
UEW-4	---	Polyurethane		---	MW75C	130
UEY	---	Polyurethane		Nylon	MW28-C	130
UEY-2	---	Polyurethane		Polyamide	MW28-C	130

287806002 Page 2 of 2

OBMW2E174837
September 8, 2000

AR-001A

