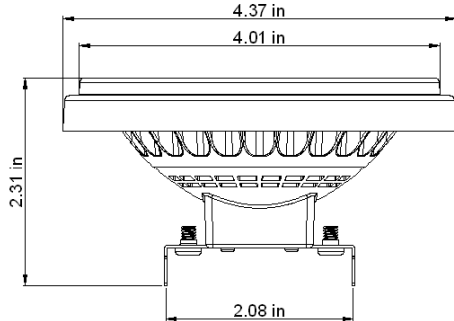


## AR111-18M120-12V White



### Line-Up:

| Category                   | Specifications | Unit      |
|----------------------------|----------------|-----------|
| Watts                      | 11             | W         |
| Lumens per Watt (Efficacy) | 68             | Lm/W      |
| Light Output               | 750            | lm        |
| Light Color (CCT)          | 6000           | K         |
| Beam Angle                 | 120            | °(degree) |
| Color Accuracy (CRI)       | 70             | Ra        |
| Product Weight             | 190            | g         |
| Dimension (mm)             | 111*58.6       | mm        |
| Rating Life                | 35 000         | H         |
| Base                       | G53            |           |
| Input Voltage (AC)         | 12             | V         |

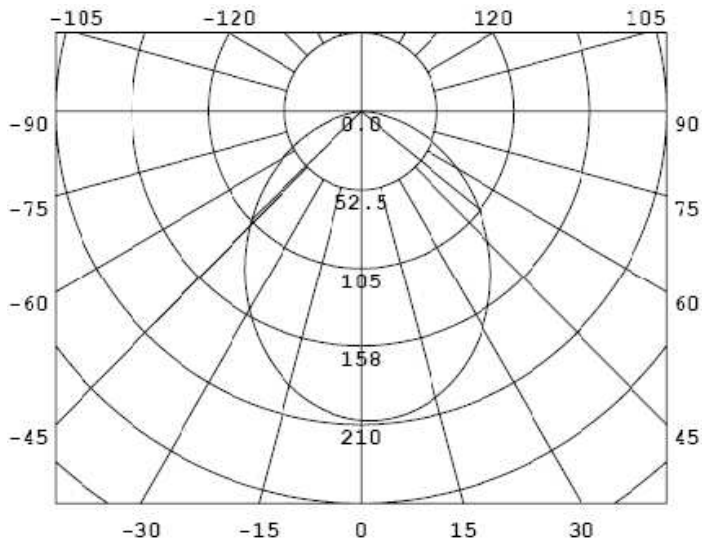
### Technical Specifications:

| Item                   | Test Conditions | Min. | Typ.  | Max. |
|------------------------|-----------------|------|-------|------|
| Input Voltage (V, rms) | AC              | ---  | 12    | ---  |
| Input Current (A, rms) | AC (12V)        | 0.55 | 0.90  | 1.08 |
| Input Voltage (V, rms) | DC              | 10   | 12    | 20   |
| Input Power (W, rms)   | AC (All)        | ---  | 11    | ---  |
| Input Frequency (Hz)   | AC              | ---  | 20kHz | ---  |
| Power Factor (PF)      | AC (All)        | ---  |       |      |
| Output Voltage (V)     | DC              | 28   | 29    | 30   |
| Output Current (A)     | DC              | 0.31 | 0.32  | 0.33 |
| Output Power (W)       | DC              | 8.9  | 9.3   | 9.6  |

### Environmental Requirements:

| Specifications                 | Values   |
|--------------------------------|--|
| Operational Temperature Range  | -20 ~ +40°C                                    |
| Preservation Temperature Range | -20 ~ +90°C                                    |
| Operational Humidity Range     | 95% Rh or belcw (@ -20 ~ +40°C)                |
| Installation Area              | Indoor (Counter, Residential, Commercial, etc) |

## Luminance Intensity Distribution:



## Cone Lux Diagram:

