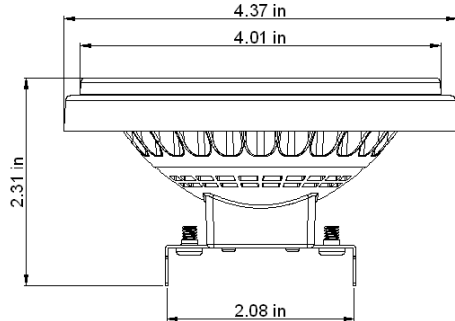


## AR111-9XP30-12V White



### Line-Up:

Category	Specifications	Unit
Watts	11	W
Lumens per Watt(Efficacy)	77	Lm/W
Light Output	850	lm
Light Color(CCT)	6000	K
Beam Angle	30	°(degree)
Color Accuracy(CRI)	70	Ra
Product Weight	190	g
Dimension(mm)	111*58.6	mm
Rating Life	35 000	H
Base	G53	
Input Voltage(AC)	12	V

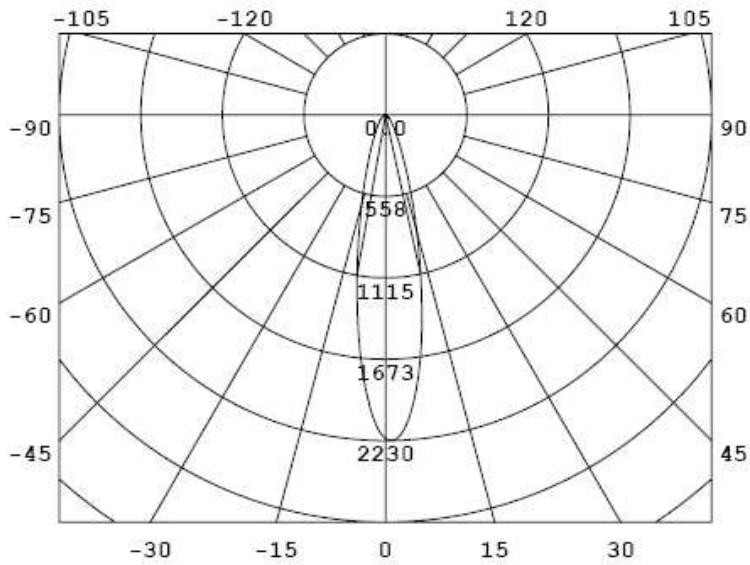
### Technical Specifications:

Item	Test Conditions	Min.	Typ.	Max.
Input Voltage (V, rms)	AC	---	12	---
Input Current(A, rms)	AC(12V)	0.55	0.90	1.08
Input Voltage(V, rms)	DC	10	12	20
Input Power(W, rms)	AC(All)	---	11	---
Input Frequency(Hz)	AC	---	20kHz	---
Power Factor(PF)	AC(All)	---		
Output Voltage(V)	DC	28	29	30
Output Current(A)	DC	0.31	0.32	0.33
Output Power(W)	DC	8.9	9.3	9.6

### Environmental Requirements:

Specifications	Values
Operational Temperature Range	-20 ~ +40°C
Preservation Temperature Range	-20 ~ +90°C
Operational Humidity Range	95% Rh or belcw (@ -20 ~ +40°C)
Installation Area	Indoor (Counter, Residential, Commercial, etc)

### Luminance Intensity Distribution:



### Cone Lux Diagram:

