

ARPJ-LAP80350 (28W, 350mA, PFC)



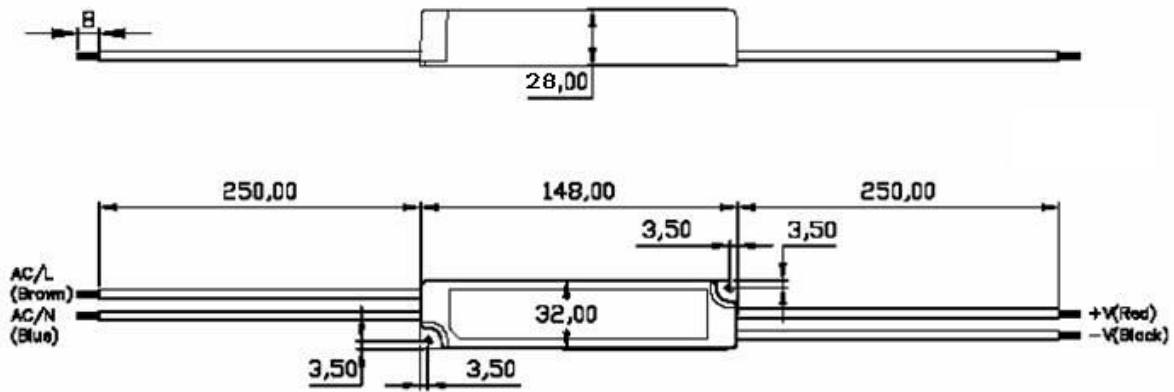
Features

- Constant current mode power supply
- Universal AC input / Full range
- Fully encapsulated with IP67 level
- Protections: Short circuit/Over current
- Built-in active PFC function
- Small and compact size
- UL1310 Class 2 power unit, pass LPS
- 100% full load burn-in test
- Suitable for LED lighting and moving sign applications
- 2 years warranty

Specification

Model		ARPJ-LAP80350 (28W, 350mA, PFC)
Output	DC Voltage	80V
	Dc Voltage Range	40-80V
	Current Range	350mA ±3%
	Rated Power	28W
	Ripple & Noise(Max.)	5Vp-p
	Voltage Tolerance	±3.0%
	Line Regulation	±1.0%
	Load Regulation	±2.0%
	Setup, Rise Time	1500ms, 250ms/230VAC 3000ms,250ms/115ac at full load
Input	Voltage Range	100-240VAC
	Frequency Range	47~63Hz
	Efficiency (Typ.)	84% fullload
	AC Current	0.6A/100VAC 0.3A/240VAC
	Inrush Current (Max.)	COLD STAT 70A/230VAC
	Leakage Current	0.5mA/240VAC
Protection	Over Current	Above105% rated outputpower. Protection type:Hiccup mode, recovers automatically after fault condition is removed. Tj 140°C typically (IC1) Detecton main control IC
	Over Temperature	Protection type: Hiccup mode, recovers automatically after temperature goes down
Environment	Working Temp.	-20~50°C
	Working Humidity	20~90% RH non-condensing
	Storage Temp., Humidity	-40~80°C, 10~95% RH
	Temp. Coefficient	±0.03%/°C (0~50°C)
	Vibration	10 ~ 500Hz, 2G 10min./1cycle, period for 60min. each along X,Y, Zaxes
Safety & EMC	Safety Standards	Design refer to UL1310 Class 2,TUV EN60950-1 , EN61347-2-13 , CAN/CSA C22.2 No. 223-M91, meet IP67
	Withstand Voltage	I/P-O/P:3KVAC
	Isolation Resistance	I/P-O/P:>100M Ohms / 500VDC / 25~70% RH
	Emi Conduction & Radiation	Compliance to EN55022 (CISPR22) Class B
	Harmonic Current	Compliance to EN61000-3-2,-3
	Ems Immunity	Compliance to EN61000-4-2,3,4,5,6,8,11; ENV50204, EN55024, light industry level , criteriaA
	Dimension	148*32*28mm (L*W*H)

Mechanical Specification



Block Diagram

