

ARPJ-LAY48350 (17W, 350mA)

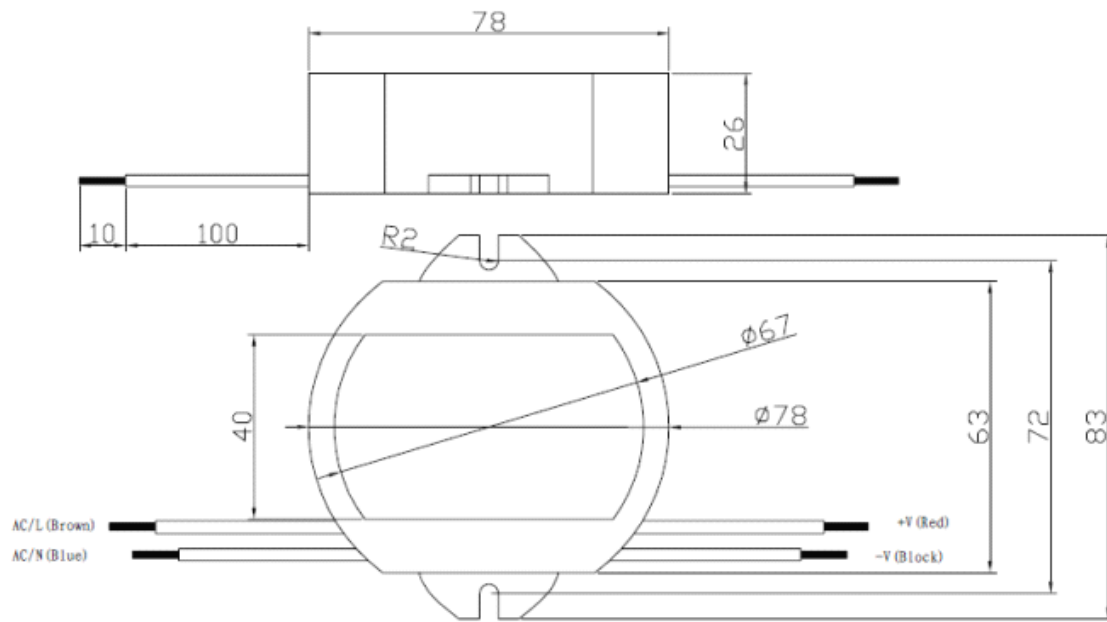
Features

- Constant current mode power supply
- 100-240VAC input only
- Fully encapsulated with IP67 level
- Protections: Short circuit/Over current
- Built-in active PFC function
- Small and compact size
- UL1310 Class 2 power unit, pass LPS
- 100% full load burn-in test
- Suitable for LED lighting and moving sign applications
- 2 years warranty

Specification

Model		ARPJ-LAY48350
Output	DC Voltage	48V
	DC Voltage Range	12-48V
	Current range	350mA \pm 3%
	Rated Power	16.8W
	Ripple & Noise(Max.)	200mVp-p
	Voltage Tolerance	\pm 3.0%
	Line Regulation	\pm 1.0%
	Load Regulation	\pm 2.0%
	Setup, Rise Time	500ms, 250ms/230VAC 500ms, 250ms/115ac at full load
Input	Voltage Range	100-240VAC
	Frequency Range	47~63Hz
	Efficiency (Typ.)	80% fullload
	Power Factor	PF>0.85/230VAC atfull load
	Ac Current (At Full Load)	0.4A/100VAC 0.2A/240VAC
	Inrush Current (Max.)	COLD STAT70A/240VAC 35A/120VAC at full load
Protection	Over Current	Above 105% rated outputpower. Protection type: Hiccup mode, recovers automatically after fault condition is removed. Tj140°C typically (IC1) Detecton main control IC
	Over Temperature	Protection type: Hiccup mode, recovers automatically after temperature-goes down
Environment	Working temp.	-10~50°C
	Working Humidity	20~90% RH non-condensing
	Storage temp., Humidity	-40~80°C, 10~95% RH
	Temp. Coefficient	\pm 0.03%/°C (0~50°C)
	Vibration	10~500Hz, 2G 10min./1cycle, period for 60min. each along X,Y, Z axes
Safety & EMC	Safety standards	Design refertoUL1310 Class 2,TUVEN60950-1, EN61347-2-13, CAN/CSAC22.2 No. 223-M91, meet IP67
	Withstand Voltage	I/P-O/P:3KVAC
	Isolation Resistance	I/P-O/P:>100M Ohms / 500VDC / 25~70% RH
	Emi Conduction & Radiation	Compliance to EN55022 (CISPR22) Class B
	Harmonic Current	Compliance to EN61000-3-2,-3
	Ems Immunity	Compliance to EN61000-4-2,3,4,5,6,8,11; ENV50204, EN55024, light industry level, criteria A
	Dimension	d 78*26mm (L*W*H)

Mechanical Specification



Block Diagram

