

ARPJ-LAY241400(34W, 1400mA, PFC)

Features:

- Constant current mode power supply
- Universal AC input / Full range
- Fully encapsulated with IP67 level
- Protections: Short circuit/Over current
- Built-in active PFC function
- Small and compact size
- UL1310 Class 2 power unit, pass LPS
- 100% full load burn-in test
- Suitable for LED lighting and moving sign applications
- 2 years warranty

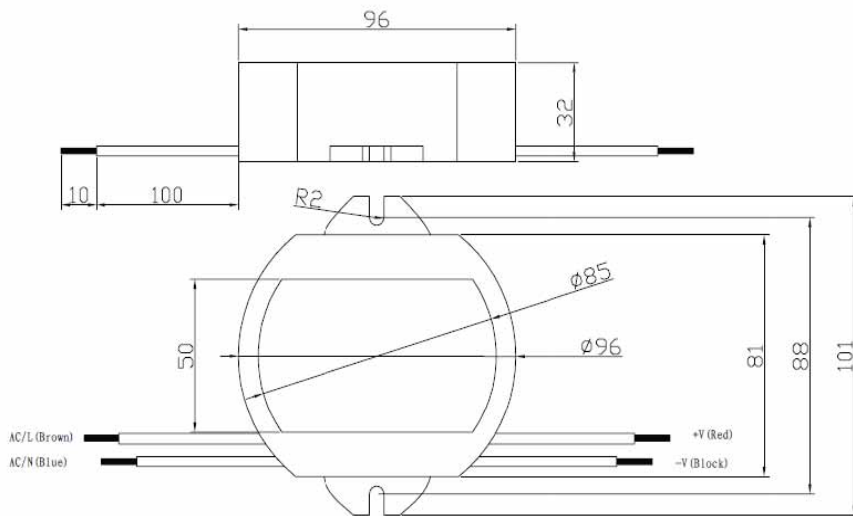


Specification:

| | | |
|-------------|--------------------------|--|
| OUTPUT | DC VOLTAGE | 24V |
| | DC VOLTAGE RANGE | 12-24V |
| | CURRENT RANGE | 1400mA \pm 5% |
| | RATED POWER | 33.6W |
| | RIPPLE & NOISE (max.) | 5Vp-p |
| | VOLTAGE TOLERANCE | \pm 3.0% |
| | LINE REGULATION | \pm 1.0% |
| | LOAD REGULATION | \pm 2.0% |
| INPUT | SETUP, RISE TIME | 1500ms,250ms/230VAC 3000ms,250ms/115ac at full load |
| | VOLTAGE RANGE | 100-240VAC |
| | FREQUENCY RANGE | 47~63Hz |
| | EFFICIENCY(Typ.) | 85% full load |
| | POWER FACTOR | PF>0.9/230VAC at full load |
| | SETUP,RISE TIME | 1500ms,250ms/230VAC 3000ms,250ms/115AC at full load |
| | AC CURRENT(at full load) | 0.6A/100VAC 0.3A/240VAC |
| | INRUSH CURRENT (max.) | COLD STAT 70A/230VAC |
| PROTECTION | LEAKAGE CURRENT | 0.5mA/240VAC |
| | OVER CURRENT | Above 105% rated output power. Protection type: Hiccup mode, recovers automatically after fault condition is removed. |
| ENVIRONMENT | OVER TEMPERATURE | Tj 140°C typically(U1) Detect on main control IC Protection type: Hiccup mode, recovers automatically after temperature goes down |
| | WORKING TEMP. | -40~+50°C |
| ENVIRONMENT | WORKING HUMIDITY | 20~90% RH non-condensing |
| | STORAGE TEMP., HUMIDITY | -40~+80°C, 10~95% RH |
| | TEMP.COEFFICIENT | \pm 0.03%/°C (0~50°C) |
| | VIBRATION | 10 ~ 500Hz, 2G 10min./1cycle, period for 60min. each along X,Y,Z axes |

| | | |
|--------------|----------------------------|---|
| SAFETY & EMC | SAFETY STANDARDS | Design refer to UL1310 Class 2, TUV EN60950-1, EN61347-2-13, CAN/CSA C22.2 No. 223-M91, meet IP67 |
| | WITHSTAND VOLTAGE | I/P-O/P: 3KVAC |
| | ISOLATION RESISTANCE | I/P-O/P: >100M Ohms / 500VDC / 25~70% RH |
| | EMI CONDUCTION & RADIATION | Compliance to EN55022 (CISPR22) Class B |
| | HARMONIC CURRENT | Compliance to EN61000-3-2,-3 |
| | EMS IMMUNITY | Compliance to EN61000-4-2,3,4,5,6,8,11; ENV50204, EN55024, light industry level, criteria A |
| DIMENSION | | φ96*32mm (L*W*H) |

Mechanical Specification:



Block Diagram:

