

ARPJ-LG362800 (100W, 2800mA, PFC)

Features:

- Universal AC input/Full range
- Protections: Short circuit / Overload / Over voltage / Over temperature
- Built_in active PFC function
- Fully encapsulated with IP67 level
- UL60950 Class 2 power unit, pass LPS
- Cooling by free air convection
- 100% full load burn-in test
- High reliability
- Suitable for LED lighting and moving sign applications
- Compliance to worldwide safety regulations for lighting
- Damp / wet location outdoor application
- 2 years warranty

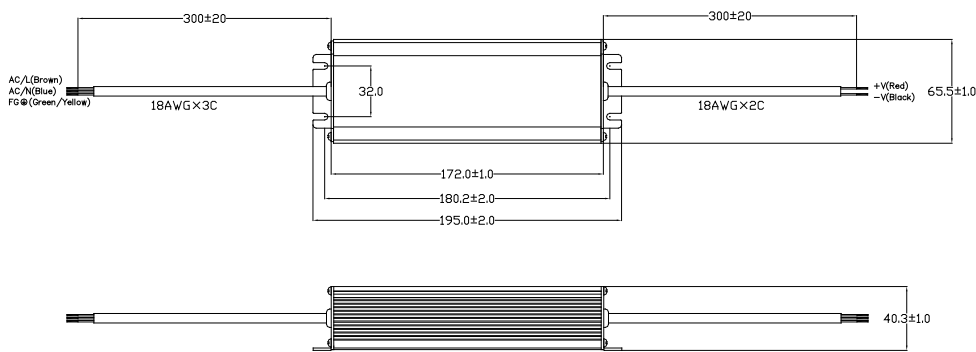


Specification:

OUTPUT	DC VOLTAGE	36V
	CONSTANT CURRENT REGION	24~36V
	RATED CURRENT	2800mA
	RATED POWER	100.8W
	RIPPLE & NOISE (max.)	200mVp-p
	VOLTAGE TOLERANCE	±2.0%
	LINE REGULATION	±1.0%
	LOAD REGULATION	±2.0%
	SETUP,RISE TIME	1000ms, 80ms / 230VAC 1000ms, 80ms / 115VAC at full load
	HOLD UP TIME (Typ.)	60ms / 230VAC 30ms / 115VAC at full load
INPUT	VOLTAGE RANGE	100V~240V AC
	FREQUENCY RANGE	47~63Hz
	EFFICIENCY(Typ.)	87%
	POWER FACTOR	PF>0.95/230VAC PF>0.98/115VAC at full load PF≥0.9 at 75 ~ 100% load, 115VAC / 230VAC
	AC CURRENT (at full load)	1.4A / 115VAC 0.7A / 230VAC
	INRUSH CURRENT (max.)	COLD START 65A/230VAC
	LEAKAGE CURRENT	<1mA / 240VAC
PROTECTION	OVER CURRENT	95 ~ 108% Protection type : Constant current limiting, recovers automatically after fault condition is removed
	SHORT CIRCUIT	Hiccup mode, recovers automatically after fault condition is removed
	OVER VOLTAGE	38~46V Protection type : Shut down o/p voltage, re-power on to recover
	OVER TEMPERATURE	Tj 140°C typically(U1) Detect on main control IC
		Protection type : Shut down o/p voltage, recovers automatically after temperature goes down

ENVIRONMENT	WORKING TEMP.	-30°C~+50°C @ full load; +70°C @ 60% load
	WORKING HUMIDITY	20~95% RH non-condensing
	STORAGE TEMPERATURE, HUMIDITY	-40~+80°C, 10~95% RH
	TEMP. COEFFICIENT	±0.03%/°C (0~50°C)
	VIBRATION	10 ~ 500Hz, 5G 12min./1cycle, period for 72min. each along X, Y, Z axes
SAFETY & EMC	SAFETY STANDARDS	Design refer to UL1310 Class 2, TUV EN60950-1, EN61347-2-13, CAN/CSA C22.2 No. 223-M91, meet IP67
	WITHSTAND VOLTAGE	I/P-O/P:3.0KVAC I/P-FG:1.5KVAC
	ISOLATION RESISTANCE	I/P-O/P:>100MOhms / 500VDC / 25~70% RH
	EMI CONDUCTION & RADIATION	Compliance to EN55015, EN55022 (CISPR22) Class B
	HARMONIC CURRENT	Compliance to EN61000-3-2 Class C (≥75% load) ; EN61000-3-3
	EMS IMMUNITY	Compliance to EN61000-4-2,3,4,5,6,8,11; ENV50204, EN55024, EN61547, light industry level , criteria A
DIMENSION	195*65.5*40.3mm (L*W*H)	

Mechanical Specification:



Block Diagram:

