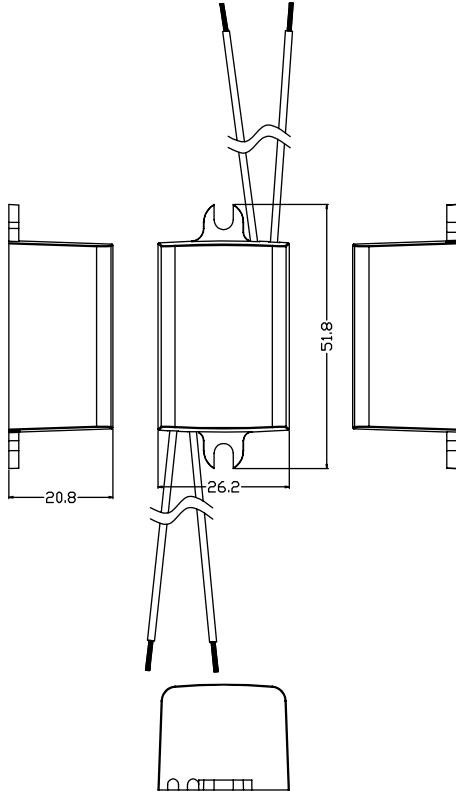


ARPJ-SC1E-04700C (3W, 700mA)

Drawing:



Input voltage: 100~240vac
Output voltage: 4VDC

Input Cable: 1672 22#*105°C 150*5mm
Stripped & tinned brown/blue
Output Cable: 1015 22#*105°C 150*5mm
Stripped & tinned red/black

Standard

Safety: EN61347-1, EN61347-2-13.
EMC: EN55015, EN61000-3-2, EN61000-3-0, EN61547

Relative humidity

85% RH. Non-condensing

Electronical specification

INPUT VOLTAGE: 100~240 Vac
INPUT RANGE VOLTAGE: 90~264 Vac
INPUT FREQUENCY: 50/60 Hz
INPUT CURRENT: 0.1 Amp. rms. at 100~240 Vac
INRUSH CURRENT: 3 Amp. peak at 100~240 Vac
Tested At Max. load 25°C , Cool state

NO LOAD OUTPUT VOLTAGE: $6 \pm 5\% V$
LOAD OUTPUT VOLTAGE: 0.5~4 V (PSC LED)
LOAD OUTPUT CURRENT: $0.7 \pm 7.5\% A$
MAX. LOAD OUTPUT POWER: 28 W
RIPPLE and NOISE 500 mV p-p Max. At 240 Vac, 50Hz, Max. load 25°C
NOISE TEST BANDWIDTH: 20 MHz

Each output bypassed by a 10uF electrolytic capacitor parallel with a 0.1uF ceramic capacitor to GND.

POWER EFFICIENCY: 50% Min. at 100-240Vac 50-60 Hz 1 PSC LED
OVER CURRENT PROTECTION , SHORT CIRCUIT PROTECTION
TOTAL POWER PROTECTION: 6 W
OVER VOLTAGE PROTECTION: 7.2 Vdc Max.

Mechanical specification

DIMENSIONS: 51.8 (L) * 26.2 (W) * 20.8(H)mm (Tolerance as drawing)
WEIGHT: 40 g Max.
OPERATING TEMPERATURE: 0°C To 50°C
STORAGE TEMPERATURE: -20°C To 60°C
RELATIVE TEMPERATURE: 40°C \pm 2°C
MTBF: 50,000 hrs to MIL-HDBK-217F Warranty: 1.2 years