

ARPV-D12150 (12V, 12.5A, 150W)

Waterproof LED Power supply



Application

- This model is suitable for indoor and outdoor LED lighting fixtures

Standard in regulation

- Certification CE
- Standard in regulation IEC 61347

Specification

| | | |
|---------------------|--------------------------|---|
| Input | Input voltage range | AC 170~250V |
| | Rated voltage | AC 220 V |
| | Operating frequency | 50~60Hz |
| | Input power | ≤ W185 |
| output | Rated output current | DC0~12.5A |
| | Rated output voltage | DC11.5~12.5V |
| | Short circuit protection | Connection failure for 3 second, after power-on, PSU can work normally |
| | Overload | Protection |
| Isolation intensity | Input-output | 1. Testing voltage 500VDC, the impedance is more than 100MQ 2. With relative humidity 91-95%, putting the PSU in the Ambient Temperature 20-30°C for 48 hours, the impedance is more than 50M. |
| | Input-housing | 3. Grounded, connected 1500AC, current 5mA, power-on for 1 minute. 4. No grounded, connected 3750AC, current 5mA, power-on for 1 minute. |
| | SELV | Pass |
| Ripple | | ≤500mVpp |
| Earth voltage | | ≤10Vac |
| IP rating | | IP66 |
| Working temperature | | -25°C~+40°C |
| Storage temperature | | -25°C~+70 °C |
| TC | | 65°C |

Wire connection

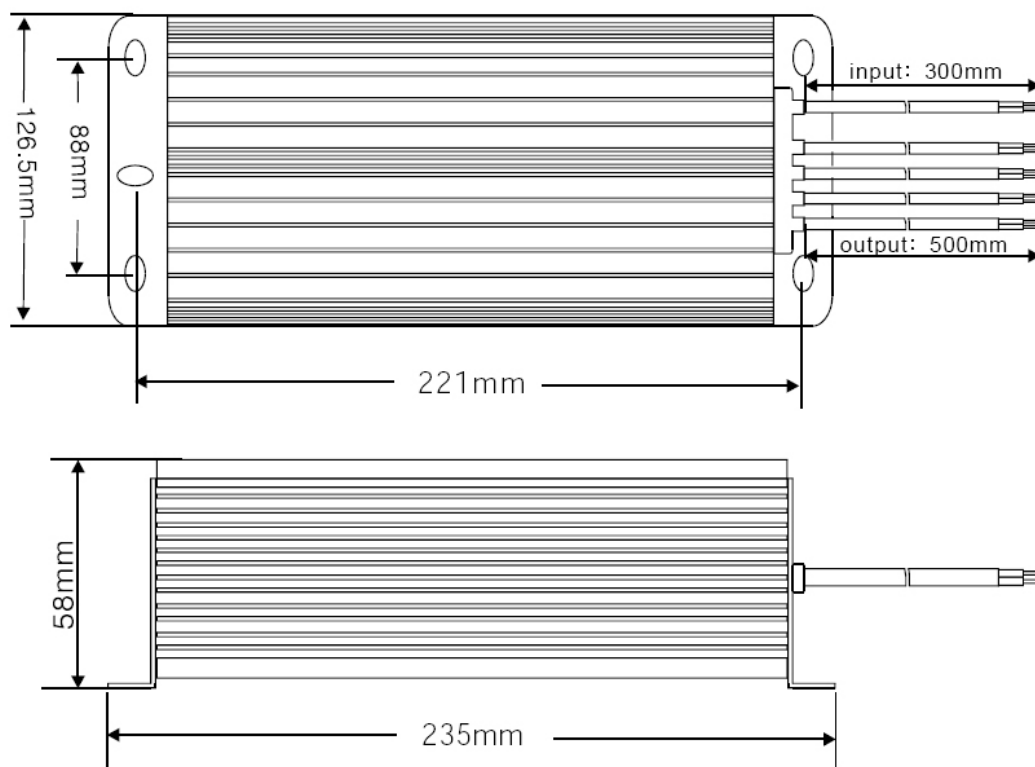
INPUT:

1. Brown wire connect live wire L
2. Blue wire connect neutral wire N
3. Yellow & green wire connect ground wire GND

OUTPUT:

1. Brown wire connect anode +
2. Blue connect negative pole -

Outlook and installed dimension



Specification (L x W x H)mm=235X126.5X58mm

| | | | |
|-------------------|-----------------------------------|------------------|-------------------------|
| Housing material | Aluminum | Aluminum (LxWxH) | 235X126.5X58mm |
| input wire model | H03VV-F3G0.75mm 300mm 2(VDE)Black | | Length of the wire 300m |
| output wire model | VDEH03VV-F2*0.75mm2White | | Length of the wire 500m |

Appendix Performance testing

| Testing contents | | Testing quantity 5PCS | | | | |
|---|-----------------------------------|-----------------------|-------|-------|-------|-------|
| Input voltage | | AC220V | | | | |
| Testing S/N | | 1# | 2# | 3# | 4# | 5# |
| Input power (load current 12.5A) | | 178.2 | 180.0 | 178.5 | 178.9 | 180.2 |
| Output voltage (load current 12.5A) | | 12.0 | 12.0 | 12.0 | 12.0 | 12.1 |
| Output voltage load current 0A | | 12.1 | 12.1 | 12.1 | 12.1 | 12.2 |
| High-low pressure starting (170~250V) | | OK | OK | OK | OK | OK |
| Short circuit protection (Connection failure for 3 second), after power-on, PSU can work normally | | OK | OK | OK | OK | OK |
| Withstand voltage | Input-Output (AC1.5KV/5mA 1Min) | OK | OK | OK | OK | OK |
| | Input--housing (AC1.5KV/5mA 1Min) | OK | OK | OK | OK | OK |
| Overload | | OK | OK | OK | OK | OK |
| Efficiency | | 84% | 83% | 84% | 84% | 84% |
| Approval | | PASS | | | | |