

ARPV-LV12075 (12V, 6.5A, 75W) ARPV-LV24075 (24V, 3.25A, 75W)

Application

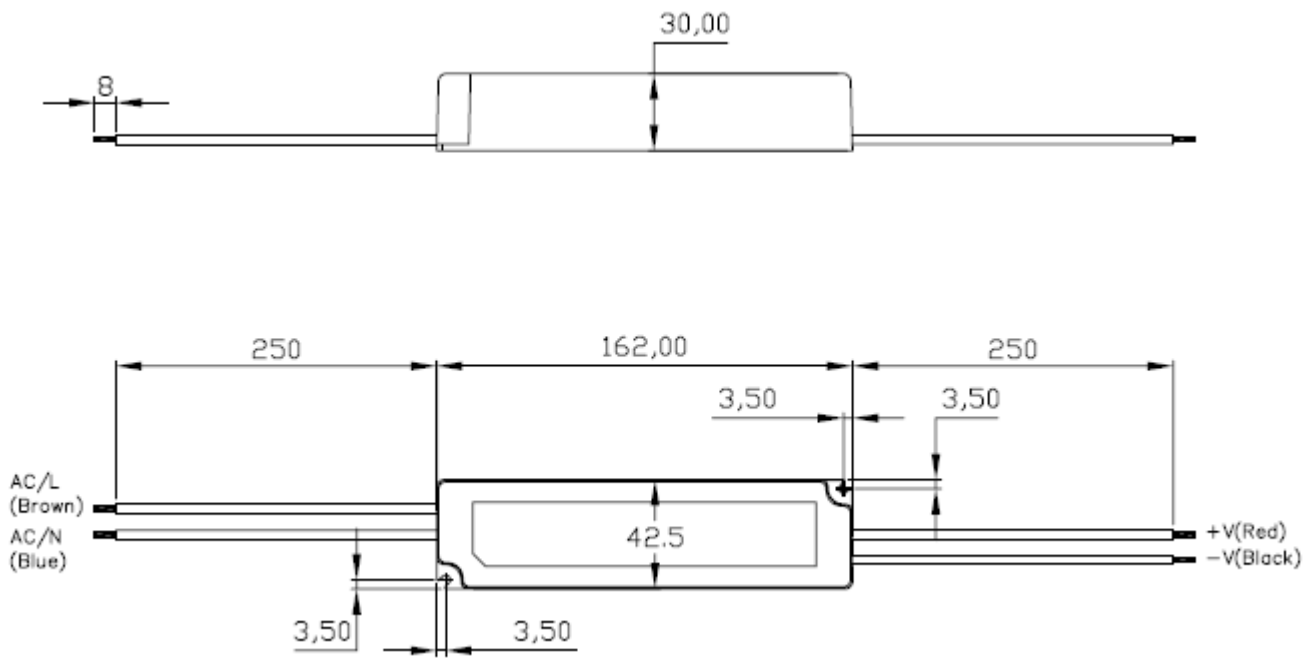
- Constant voltage mode power supply
- 100-240VAC input only
- Fully encapsulated with IP67 level
- Protections: Short circuit/Over current
- Small and compact size
- UL1310 Class 2 power unit, pass LPS
- 100% full load burn-in test
- Suitable for LED lighting and moving sign applications
- 2 years warranty



Specification

MODEL		ARPV-LV12075	ARPV-LV24075
OUTPUT	DC VOLTAGE	12V	24V
	RATED CURRENT	6.5A	3.25A
	CURRENT RANGE	0~6.5A	0~3.25A
	RATED POWER	75W	75W
	RIPPLE & NOISE (max.)	150mVp-p	300mVp-p
	VOLTAGE TOLERANCE		±3.0%
	LINE REGULATION		±1.0%
	LOAD REGULATION		±2.0%
	SETUP,RISE TIME	500ms,250ms/230VAC 500ms,250ms/115ac at full load	
	HOLD UP TIME (TYP.)	50ms/230VAC 24ms/115VAC at full load	
INPUT	VOLTAGE RANGE	100-240VAC	
	FREQUENCY RANGE	47~63Hz	
	EFFICIENCY(Typ.)	84% full load	86% full load
	AC CURRENT	0.80A/240AC/1.6A/115VAC	
	INRUSH CURRENT (max.)	COLD STAT 70A/230VAC 35A/115VAC	
	LEAKAGE CURRENT	0.25mA/240VAC	
PROTECTION	OVER CURRENT SHORT CIRCUIT	Above 150% ~ 200%rated output power or short circuit. Protection type: Hiccup mode, recovers automatically after fault condition is removed.	
	OVER VOLTAGE	Protection type: Hiccup mode, recovers automatically after fault condition is removed.	
	OVER TEMPERATURE	Tj 140°C typically (IC1) Detect on main control IC Protection type: Hiccup mode, recovers automatically after temperature goes down	
ENVIRONMENT	WORKING TEMP.	-10~50°C	
	WORKING HUMIDITY	20~90% RH non-condensing	
	STORAGE TEMP, HUMIDITY	-40~80°C , 10~95% RH	
	TEMP.COEFFICIENT	±0.03%/°C (0~50°C)	
	VIBRATION	10 ~ 500Hz, 2G 10min./1cycle, period for 60min. each along X,Y, Z axes	
SAFETY & EMC	SAFETY STANDARDS	Design refer to UL1310 Class 2,TUV EN60950-1, EN61347-2-13, CAN/CSA C22.2 No. 223-M91, meet IP67	
	WITHSTAND VOLTAGE	I/P-O/P:3KVAC	
	ISOLATION RESISTANCE	I/P-O/P:>100M Ohms / 500VDC / 25□70% RH	
	EMI CONDUCTION & RADIATION	Compliance to EN55022 (CISPR22) Class B	
	HARMONIC CURRENT	Compliance to EN61000-3-2,-3	
EMS IMMUNITY	Compliance to EN61000-4-2,3,4,5,6,8,11; ENV50204, EN55024, light industry level, criteria A		
DIMENSION		162*42.5*30mm (L*W*H)	

Mechanical Specification



Block Diagram

