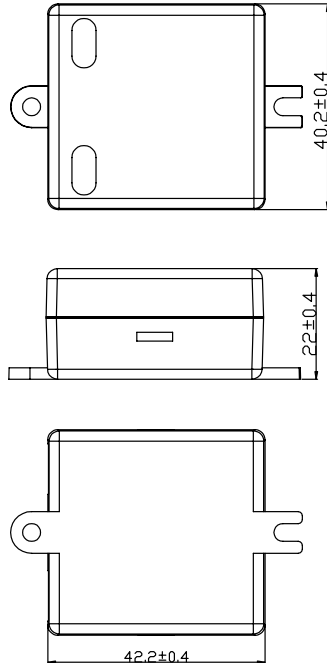


ARPV-SC1E-24006T (24V, 0.25A, 6W)

Drawing:



Input voltage: 200~240VAC

Output voltage: 24VDC

Input Cable: TERMINAL

Output Cable: TERMINAL

Standard

Safety: EN61558-1, EN61558-2-17.

EMC: EN55014-1, EN55014-2, EN61000-3-2, EN61000-3-3.

Relative humidity

85% RH. Non-condensing

Electronical specification

INPUT VOLTAGE: 200~240 Vac
 INPUT RANGE VOLTAGE: 180~264 Vac
 INPUT FREQUENCY: 50 Hz
 INPUT CURRENT: 0.15 Amp. rms. at 200 Vac
 INRUSH CURRENT: 5 Amp. peak at 200 Vac
 6 Amp. peak at 240 Vac
 Tested At Max. load 25°C , Cool state

OUTPUT VOLTAGE: 24 V
 REGULATION: ± 5 %
 MIN. LOAD CURRENT: 0 A
 MAX. LOAD CURRENT: 0.25 A
 LOW POWER FACTOR
 RIPPLE AND NOISE: 300 mVp-p Max. At 200 Vac, 50 Hz, Max. load 25
 NOISE TEST BANDWIDTH: 20 MHz

Each output bypassed by a 10uF electrolytic capacitor parallel with a 0.1uF ceramic capacitor to GND.

LINE REGULATION: INPUT = 200 ~ 240 Vac, output loaded at Max. load.

REGULATION = ± 5 %

TOTAL OUTPUT: 6 W
 POWER EFFICIENCY: 60% Min. at 200~240 Vac 50 Hz, Max. load.

OVER CURRENT PROTECTION , SHORT CIRCUIT PROTECTION

OVER POWER PROTECTION: 18 W

OVER VOLTAGE PROTECTION: 27 Vdc Max.

Mechanical specification

DIMENSIONS: 42.2 (L) * 40.2 (W) * 22(H)mm (Tolerance as drawing)

WEIGHT: 45 g Max.

OPERATING TEMPERATURE: 0°C To 50°C

STORAGE TEMPERATURE: -20°C To 60°C

RELATIVE TEMPERATURE: 40°C ± 2°C

MTBF: 50,000 hrs to MIL-HDBK-217F

Warranty: 2 years