

LZ (CD26GA)



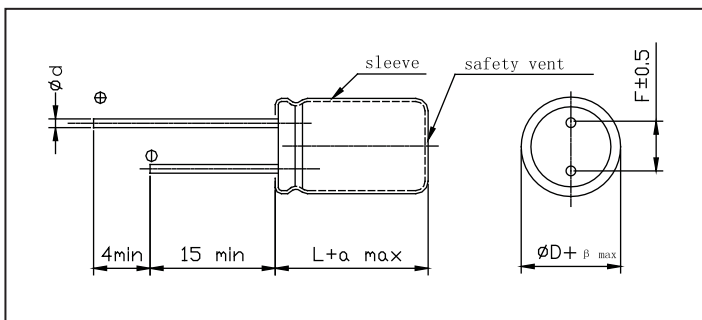
- ◎ High Ripple Current High Temperature , extremely Long Life, 130°C 2000 hours 105°C 8000 hours
- ◎ Specially designed for electronic ballast and energy-save lamp..
- ◎ Adapted to the ROHS directive (2002/95/EC).

■ Specifications

Item	Performance Characteristics												
Operating temperature range	-40°C ~ +105°C												
Rated voltage range	200 ~ 450V												
Nominal capacitance range	1~100μF												
Capacitance tolerance	± 20% (120Hz, +20°C)												
Leakage current	0.02 CV+10μA(2 ,20°C) 0.02CV+10μA(at 20°C, after 2 minutes)												
Dissipation factor (tg δ) (+20°C, 120Hz)	<table border="1" style="width: 100%; text-align: center;"> <thead> <tr> <th style="text-align: left;">U_R (V)</th> <th>200</th> <th>250</th> <th>350</th> <th>400</th> <th>450</th> </tr> </thead> <tbody> <tr> <td>tg δ</td> <td>0.08</td> <td>0.08</td> <td>0.08</td> <td>0.08</td> <td>0.12</td> </tr> </tbody> </table>	U _R (V)	200	250	350	400	450	tg δ	0.08	0.08	0.08	0.08	0.12
U _R (V)	200	250	350	400	450								
tg δ	0.08	0.08	0.08	0.08	0.12								
Load life (+130°C or 105°C)	<p>After application of the rated voltage at 130°C 2000 hours or 105°C 8000 hours , the capacitors shall meet the below requirement</p> <p>Time: 130°C 2000 hours 105°C 8000 hours</p> <p>Capacitance change : ±30% Initial measured value</p> <p>Leakage current : ≤ Initial specified value</p> <p>Dissipation factor : ≤ 3 times Initial specified value</p>												
Shelf life (+125°C)	<p>After leaving capacitors under no load at 105°C for 1000 hours, U_R to be applied for 30 minutes, capacitors shall meet the specified value for load life Characteristics listed above.</p>												

■ Case size table

Unit: mm



D	8	10	12	16	18、19
F	3.5	5.0		7.5	7.5
d	0.5	0.6		0.8	

αMAX	(L<20) 1.5	βMAX	0.5
	(L≥20) 2.0		

◇ Coefficient of allowable ripple current

$U_R(V)$	$C_R(\mu F)$	Frequency			
		120	1K	10~30K	30~100K
200~250	3.3~100	0.55	0.85	0.95	1.00
350~450	1 ~ 47	0.5	0.8	0.9	1.00

■ Dimensions

ØD × L(mm)

$C_R(\mu F)$	U_R Code	200V		250V		350V		400V		450V	
		2D		2E		2V		2G		2W	
1	010					8×12	60	8×12	70	8×12	80
1.8	1R8					10×12	70	10×16	80	10×12	90
2.2	2R2					10×12	80	10×16	90	10×12	100
3.3	3R3			8×12	90	10×16	95	10×16	105	10×16	115
4.7	4R7			10×16	100	10×16	120	10×20	120	10×20	120
				10×12		10×16					
6.8	6R8			8×16	108	10×20	152	10×20	168	12×20	180
8.2	8R2			10×16	118	12×20	250	12×20	168	13×20	270
10	100	10×16	235	10×20	250	12×20	250	13×20	260	13×20	280
15	150	10×20	235	10×20	272	13×20	282	13×25	290	13×25	300
22	220	10×21	260	13×20	308	13×25	300	16×25	320	16×30	330
		10×20									
33	330	13×20	300	13×25	340	16×25	320	16×30	350	16×35	380
		12×25									
47	470	13×25	350	16×25	370	16×30	360	16×35	400	18(19)×35	450
68	680	16×30	480	16×30	520						
100	101	16×30	680	16×35	720						

└──────────┘ Rated ripple current (mA, +105°C, 100KHz)