

NP (CD29L)

- High ripple current capability, Use for Sun energy converter
- Vibration resistance
- Adapted to the ROHS directive.

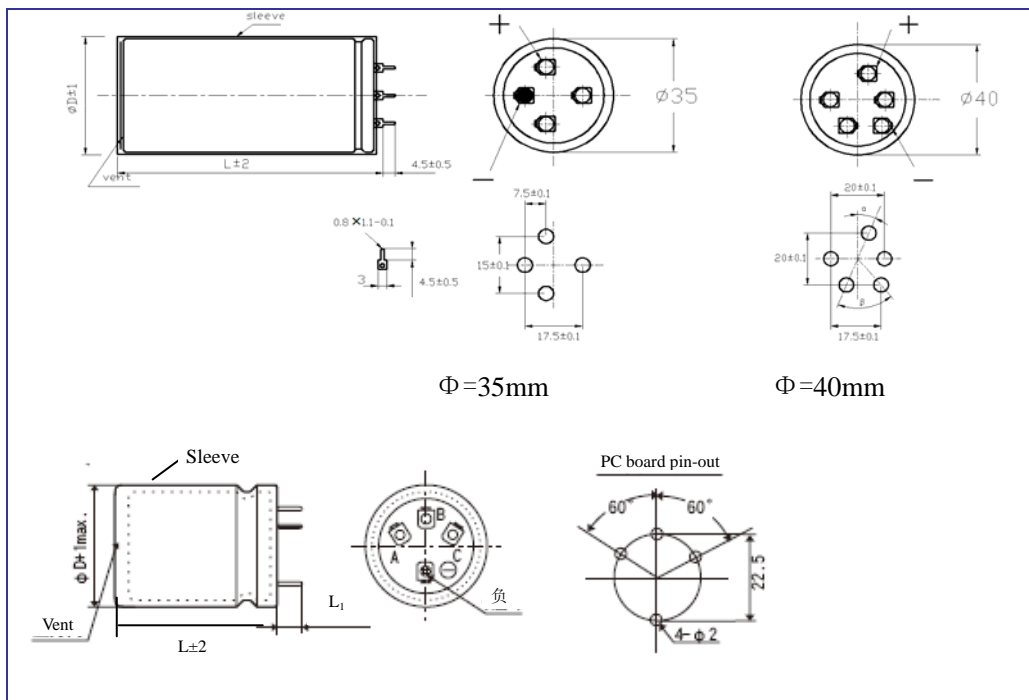


Specifications

| Item | Performance Characteristics | | | | | | | | | |
|--------------------------------------------------------|-----------------------------------------------------------------------------------------------------------------------------------------------------------------------------------------------------------------------------------------------------------------------------|--------------------|-----|---------|--------------|------|------|--------------|---|----|
| Operating temperature range | -25°C ~ +85°C | | | | | | | | | |
| Rated voltage range | 400~450V | | | | | | | | | |
| Capacitance tolerance | ±20% (120Hz, +20°C) | | | | | | | | | |
| Leakage current | $I \leq 3\sqrt{CV}$ (µA) (at 20°C, after 5 minutes) | | | | | | | | | |
| Dissipation factor (tgδ) (+20°C, 120Hz) | <table border="1"> <tr> <td>U (V)</td> <td>400</td> <td>420~450</td> </tr> <tr> <td>tgδ</td> <td>0.18</td> <td>0.20</td> </tr> </table> | U (V) | 400 | 420~450 | tgδ | 0.18 | 0.20 | | | |
| U (V) | 400 | 420~450 | | | | | | | | |
| tgδ | 0.18 | 0.20 | | | | | | | | |
| Temperature characteristics (Impedance ratio at 120Hz) | <table border="1"> <tr> <td>U_R (V)</td> <td>400</td> <td>420~450</td> </tr> <tr> <td>Z-25°C/+20°C</td> <td>4</td> <td>7</td> </tr> <tr> <td>Z-40°C/+20°C</td> <td>8</td> <td>10</td> </tr> </table> | U _R (V) | 400 | 420~450 | Z-25°C/+20°C | 4 | 7 | Z-40°C/+20°C | 8 | 10 |
| U _R (V) | 400 | 420~450 | | | | | | | | |
| Z-25°C/+20°C | 4 | 7 | | | | | | | | |
| Z-40°C/+20°C | 8 | 10 | | | | | | | | |
| Load life | After applying rated voltage with specified ripple current for 6000 hours at +85 °C and then resumed 16 hours: Capacitance change : ±10% Initial measured value Leakage current : ≤ Initial specified value Dissipation factor : ≤ 2 times Initial specified value | | | | | | | | | |
| Shelf life | After storage for 1000 hours at +85°C , U _R to be applied for 30 minutes and then resumed 16 hours Capacitance change : ±15% Initial measured value Leakage current : ≤ Initial specified value Dissipation factor : ≤ 1.5times Initial specified value | | | | | | | | | |

Case table

Unit: mm



DIMENSIONS

| Voltage (Code) | | 400(2G) | | | 420V(2M) | | | 450V(2W) | | |
|----------------|------|-----------|-----------|----------------|-----------|-----------|----------------|-----------------|-----------|----------------|
| Cap.(μ F) | Code | Case Size | Impedance | Ripple Current | Case Size | Impedance | Ripple Current | Case Size | Impedance | Ripple Current |
| 560 | | | | | | | | 35×60 | 290 | 2.4 |
| 680 | 681 | 35×60 | 150 | 2.7 | 35×60 | 240 | 2.7 | 35×70 | 240 | 3.0 |
| 680 | 681 | 40×50 | 150 | 2.7 | 40×50 | 240 | 2.7 | 40×60 | 240 | 2.7 |
| 820 | 821 | 35×60 | 130 | 3.1 | 35×70 | 200 | 3.4 | 35×80 | 200 | 3.6 |
| 820 | 821 | 40×50 | 130 | 3.0 | 40×60 | 200 | 3.3 | 40×60 | 200 | 3.3 |
| 1000 | 102 | 35×70 | 110 | 3.8 | 35×80 | 160 | 4.1 | 35×100 45×70 | 160 | 4.6 |
| 1000 | 102 | 40×60 | 110 | 3.8 | 40×60 | 160 | 3.8 | | | |
| 1200 | 122 | 35×100 | 90 | 5.1 | | | | | | |
| 1200 | 122 | 40×70 | 90 | 4.5 | 40×70 | 140 | 4.5 | | | |
| 1500 | 152 | 35×100 | 70 | 5.8 | 40×100 | 110 | 6.2 | | | |
| 1500 | 152 | 40×80 | 70 | 5.5 | 45×70 | 110 | 5.2 | | | |
| 1800 | 182 | 40×100 | 60 | 6.8 | 40×100 | 90 | 6.8 | | | |
| 1800 | 182 | 45×80 | 60 | 6.2 | 45×80 | 90 | 9.2 | | | |
| 2200 | 222 | 45×100 | 50 | 7.6 | | | | | | |
| 2700 | 272 | 45×100 | 40 | 8.6 | | | | | | |

Maximum Allowable Ripple Current (A rms) at 85°C 120Hz.
 Maximum Impedance ($m\Omega$) at 20°C 10KHz.