

Micro switches

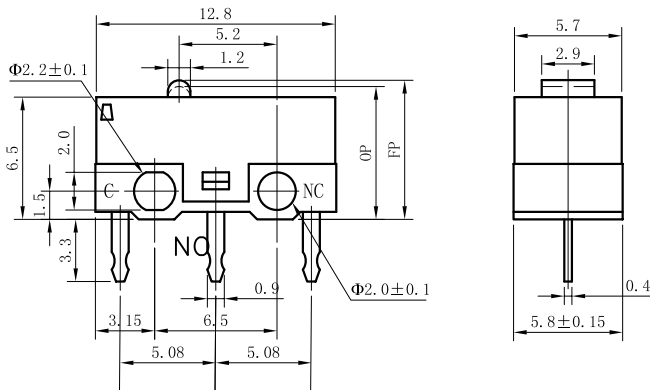
Applications

Operating in all types of electronic equipment such as appliances, audio, mouse, office, equipment, communications apparatus, etc.

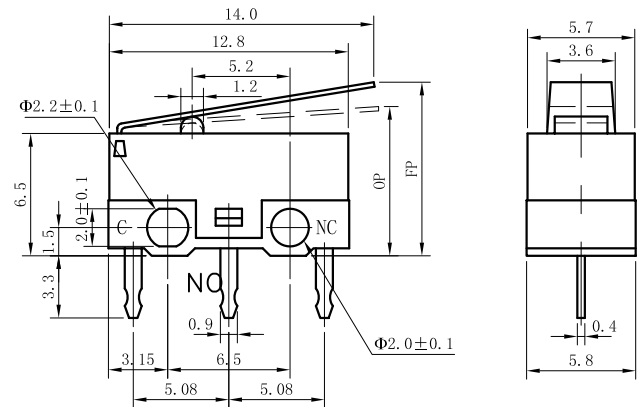
Features

- Ultra small type, light weight.
- Terminals are insert molded against flux penetration during soldering.
- Good feeling and more levers are applied.

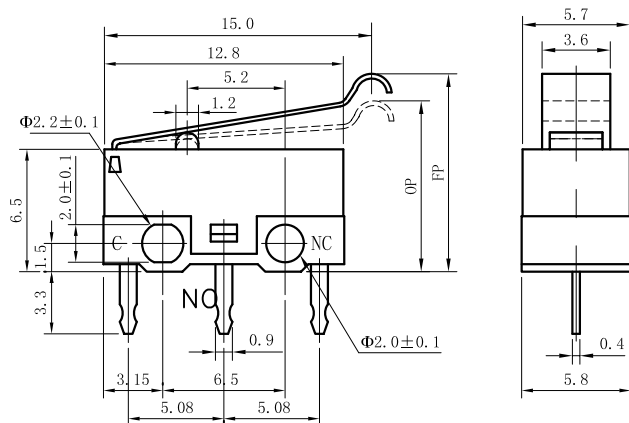
DM1-00P / DM3-00P



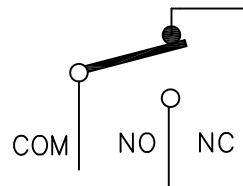
DM1-01P / DM3-01P



DM1-02P / DM3-02P



Schematic



Specification

Rating	3A 125VAC (DM3), 1A 250V AC (DM1)
Insulation Resistance	100M Ω min. (DC 500V)
Dielectric Strength	AC 500V (50/60Hz for 1 minute)
Contact Resistance	50m Ω max.
Electrically Life	30,000 cycle