

FYL-3014IRCT1A

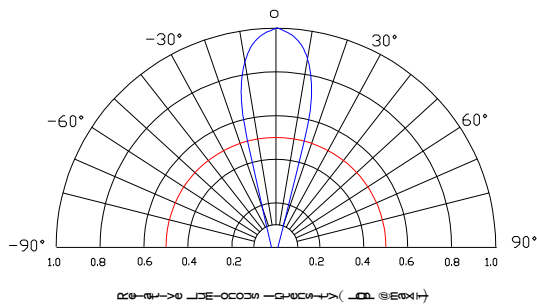
Features:

- Single color
- High Power output
- Low power consumption
- High reliability and long life.
- General purpose leads
- RoHs compliant.

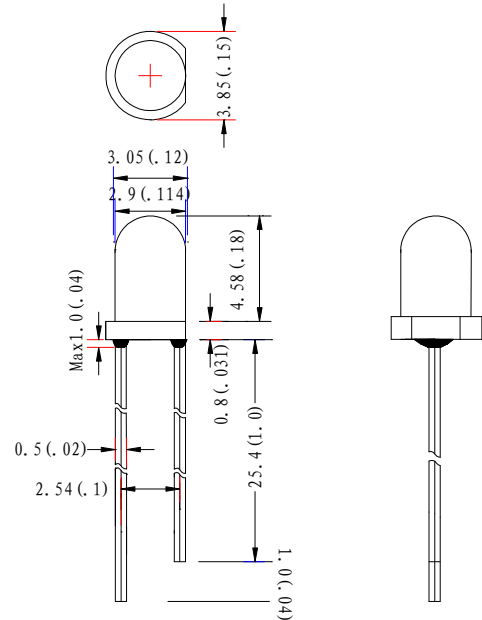
Descriptions:

- Dice material: AlGaAs.
- Emitting Color: Infrared.
- Device Outline: Φ3mm Round Type.
- Lens Type: Blue Transparent.

Radiation pattern.



Package configuration



- ◆ All dimensions are millimeters (inches)
- ◆ Tolerance is $\pm 0.25\text{mm}(.010")$ unless otherwise noted.

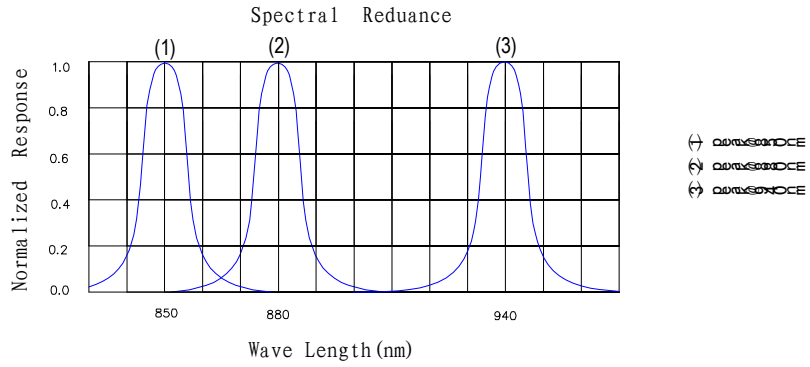
Absolute maximum ratings(Ta=25 °c)

Parameter	Symb	Test Condition	MAX.	Unit
Power Dissipation	pd	-	100	mW
Forward Current	IFM	Duty=0.01ms 1khz	1000	mA
Reverse Voltage	VR	IR=10UA	9	V
Operating Temperature Range			-30°C to +80°C	
Storage Temperature Range			-40°C to +100°C	
Lead Soldering Temperature[4mm(.157") From Body]			260°C for 5 Seconds	

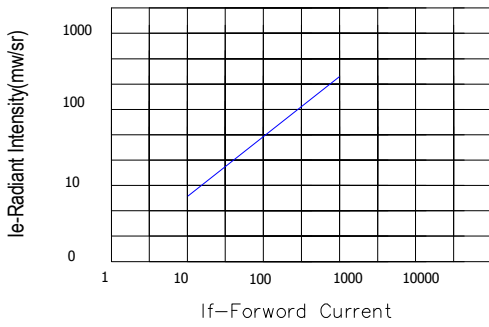
Electrical and optical characteristics(Ta=25 °c)

Parameter	Symbol	Min.	Typ.	Max.	Unit	Test Condition
Radiant Intensity	Ee	50	70	-	Mw/sr	IF=50mA
Viewing Angle	2θ1/2	25	30	35	Deg	
Peak Emission Wavelength	λp	-	850	-	nm	
Spectral Line Width	Δλ	25	30	35	nm	
Forward Voltage	VF	-	1.5	1.8	V	5 V
Reverse Current				10	uA	

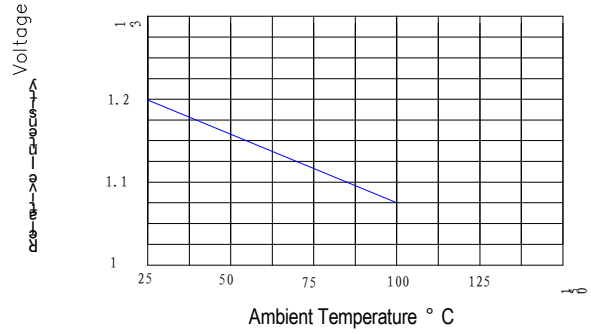
Typical Electrical Characteristics Curves (25 °C Ambient Temperature Unless Otherwise Noted)



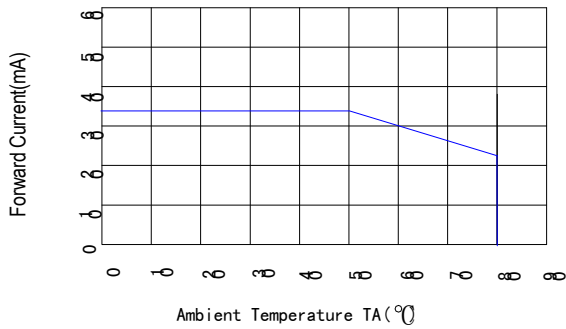
Relative Intensity vs. Forward Current



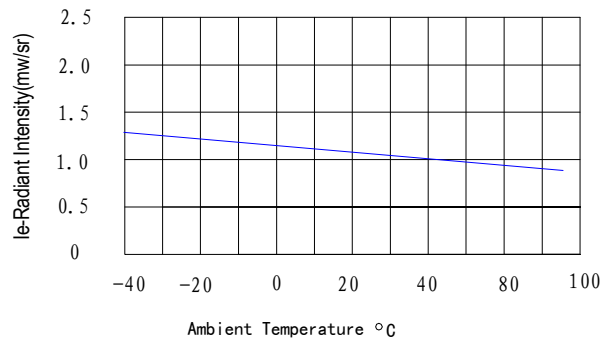
Forward Voltage Vs. Ambient Temperature

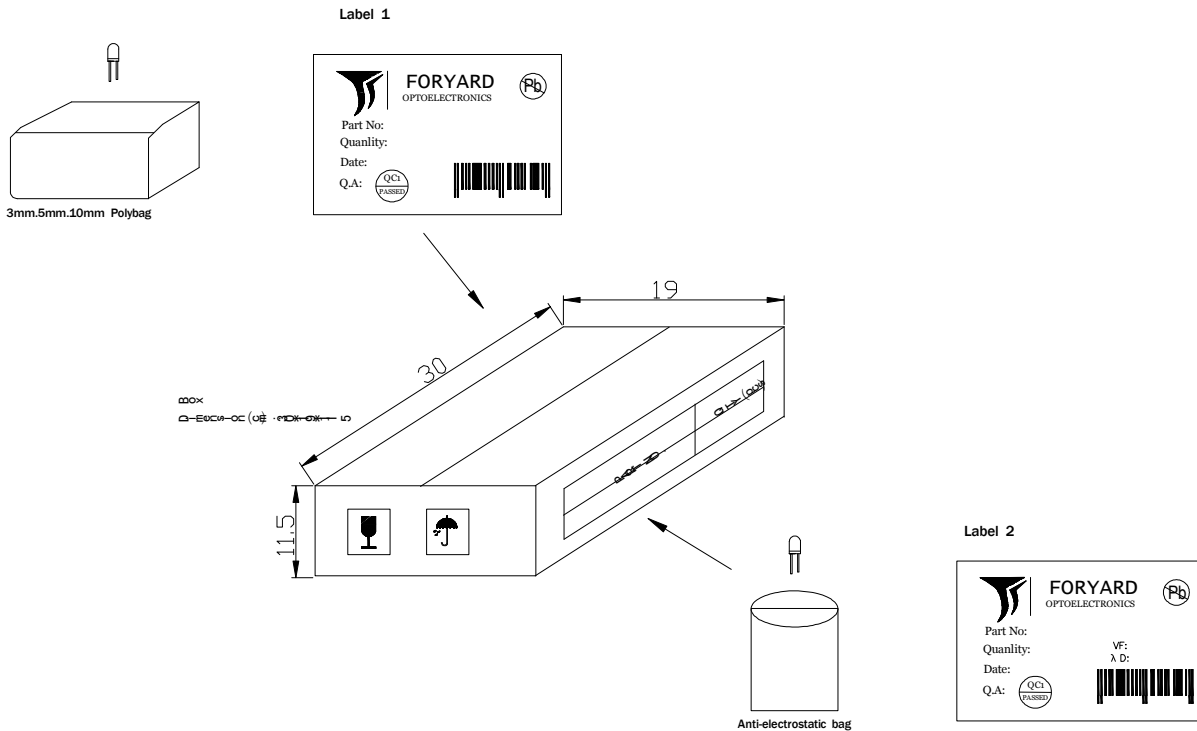


Forward Current Derating Curve

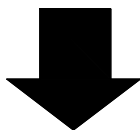


Relative Intensity vs. Ambient Temperature

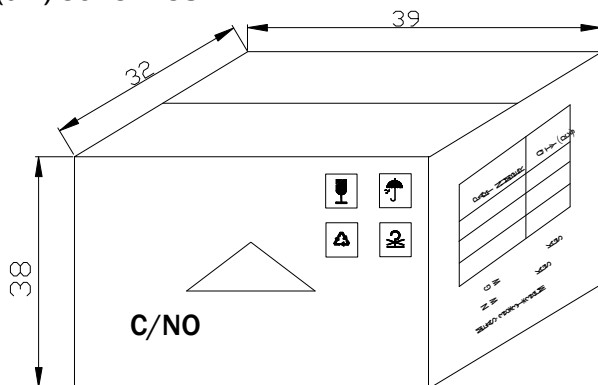




DEVICE	QTY/polybag(pcs)	Polybag/box A	Fig
5mm(T-1 3/4)	1000	8 bags	Label 1
3mm(T-1)	1000	10 bags	Label 1
10mm(T-1)	250	8 bags	Label 1
Blue/Green/White	500pcs	8 bags	Label 2



CARTON
Dimension(cm):39*32*38



6 Boxes/Carton
 5mm:48,000pcs
 3mm:60,000pcs
 10mm:12,000pcs
 Blue/Pure Green/bluish Green
 /White:24,000pcs