

FYL- 5003XXX1F

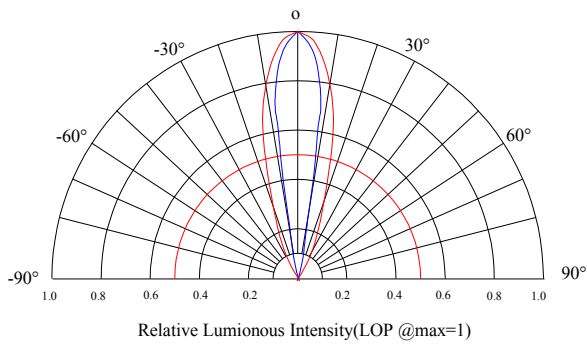
Features:

- General purpose leads
- RoHs compliant.

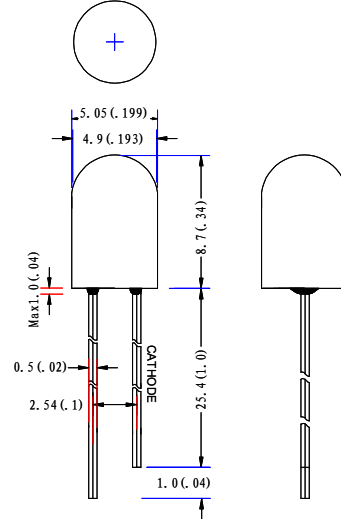
Descriptions:

- Dice material: GaP/GaAsP/InGaN/AlGaInP.
- Device Outline: $\Phi 5\text{mm}$ Round Without Type.

Radiation pattern.



Package configuration



- ◆ All dimensions are millimeters (inches)
- ◆ Tolerance is $\pm 0.25\text{mm}(.010\text{'})$ unless otherwise noted.

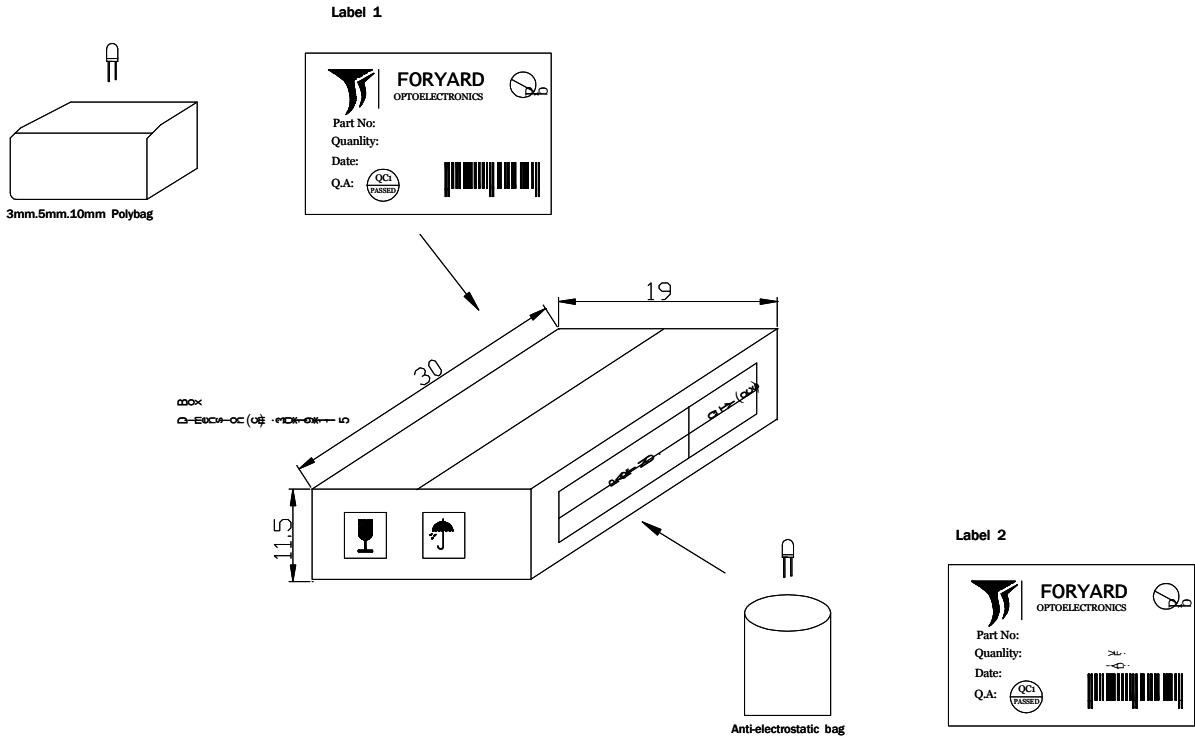
Absolute maximum ratings($T_a = 25^\circ\text{C}$)

Parameter	MAX.	Unit
Continuous Forward Current	20	mA
Derating Linear From 50°C	0.4	mA/ $^\circ\text{C}$
Reverse Voltage	5	V
Operating Temperature Range	-30°C to $+80^\circ\text{C}$	
Storage Temperature Range	-40°C to $+100^\circ\text{C}$	
Lead Soldering Temperature[4mm(.157") From Body]	260°C for 5 Seconds	

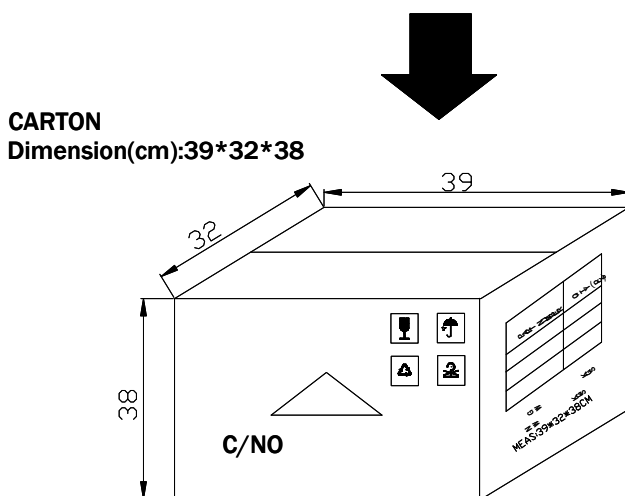
Optical Characteristics at TA = 25° C, IF=20mA.

Part Number	Lens Color	Wavelength (nm)	Intensity (mcd)	Angle $2\theta_{1/2}$
FYL-5003HD1F	Red diffused	700	25	35
FYL-5003SRW1F	White diffused	660	150	35
FYL-5003ED1F	Red diffused	625	40	35
FYL-5003YD1F	Yellow diffused	588	50	35
FYL-5003GD1F	Green diffused	568	40	35
FYL- 5003LRD1F	Red diffused	660	280	35
FYL- 5003SURC1F	Water clear	630	1300	18
FYL- 5003NURC1F	Water clear	630	2000	18
FYL- 5003SUEC1F	Water clear	625	1300	18
FYL- 5003SUYC1F	Water clear	588	1500	18
FYL- 5003NUYC1F	Water clear	588	1800	18
FYL-5003SUGC1F	Water clear	568	1100	18
FYL-5003PGC1F	Water clear	520	15000	18
FYL-5003BGC1F	Water clear	505	14000	18
FYL-5003UBC1F	Water clear	470	6000	18
FYL-5003VC1F	Water clear	410	90 (mW)	18

LAMP PACKING.



DEVICE	QTY/polybag(pcs)	Polybag/box A	Fig
5mm(T-1 3/4)	1000	8 bags	Label 1
3mm(T-1)	1000	10 bags	Label 1
10mm(T-1)	250	8 bags	Label 1
Blue/Green/White	500pcs	8 bags	Label 2



6 Boxes/Carton
 5mm:48,000pcs
 3mm:60,000pcs
 10mm:12,000pcs
 Blue/Pure Green/bluish Green
 /White:24,000pcs