

FYL-5013IRAT1B

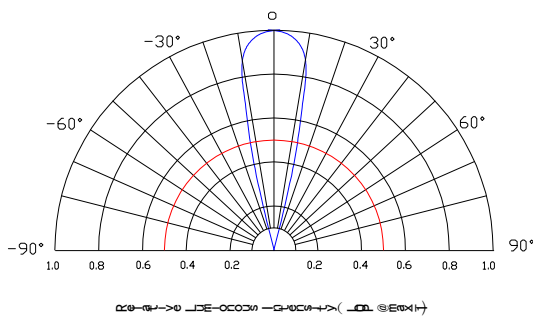
Features:

- Single color
- High Power output
- Low power consumption
- High reliability and long life
- General purpose leads
- RoHs compliant.

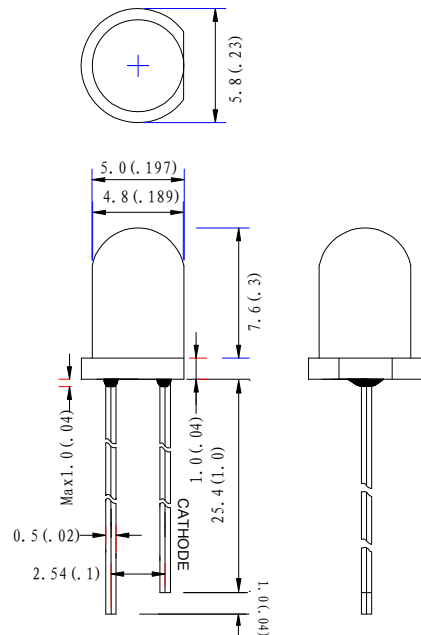
Descriptions:

- Dice material: AlGaAs
- Emitting Color: Infrared
- Device Outline: $\Phi 5\text{mm}$ Round Type.
- Lens Type: Deep blue

Radiation pattern.



Package configuration



- ◆ All dimensions are millimeters (inches)
- ◆ Tolerance is $\pm 0.25\text{mm}(.010\text{'})$ unless otherwise noted.

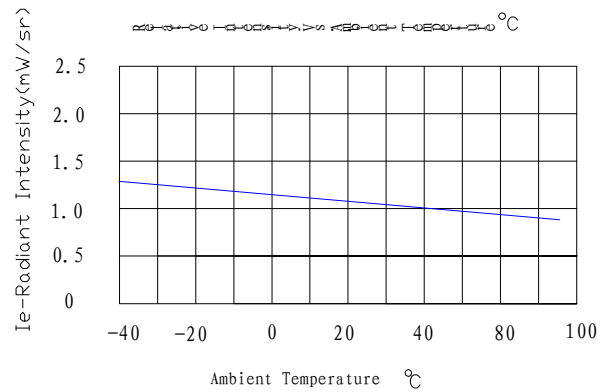
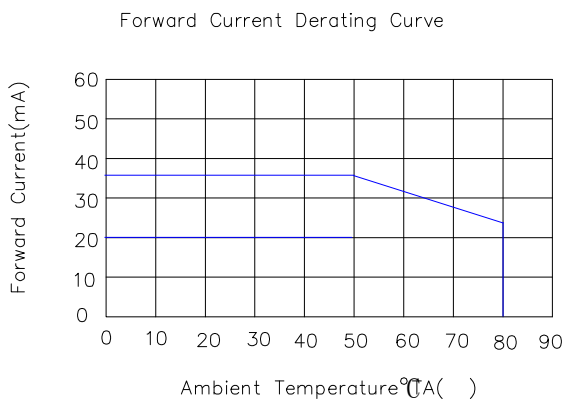
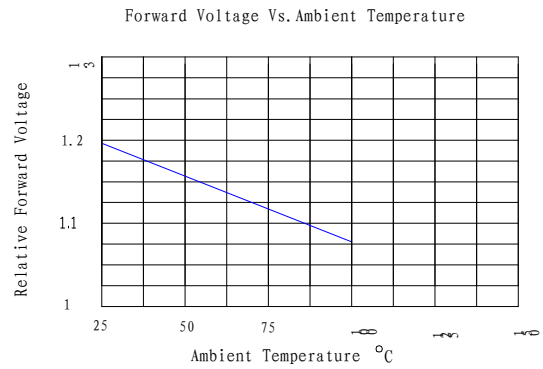
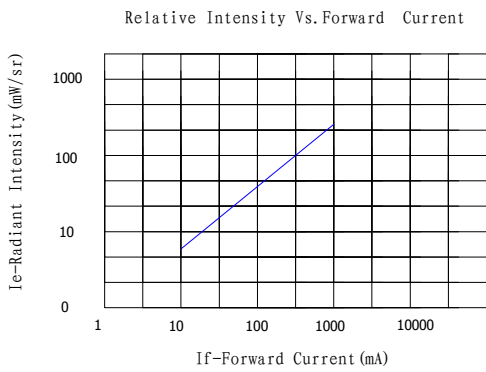
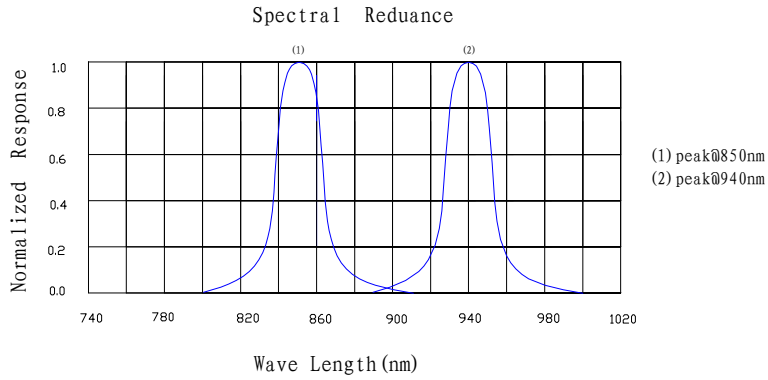
Absolute maximum ratings($T_a=25\text{ }^\circ\text{C}$)

| Parameter | Symb | Test Condition | MAX. | Unit |
|--|------|------------------|--|------|
| Power Dissipation | pd | - | 100 | mW |
| Forward Current | IFM | Duty=0.01ms 1khz | 1000 | mA |
| Reverse Voltage | VR | IR=10UA | 9 | V |
| Operating Temperature Range | | | -30$^\circ\text{C}$ to +80$^\circ\text{C}$ | |
| Storage Temperature Range | | | -40$^\circ\text{C}$ to +100$^\circ\text{C}$ | |
| Lead Soldering Temperature[4mm(.157") From | | | 260$^\circ\text{C}$ for 5 Seconds | |

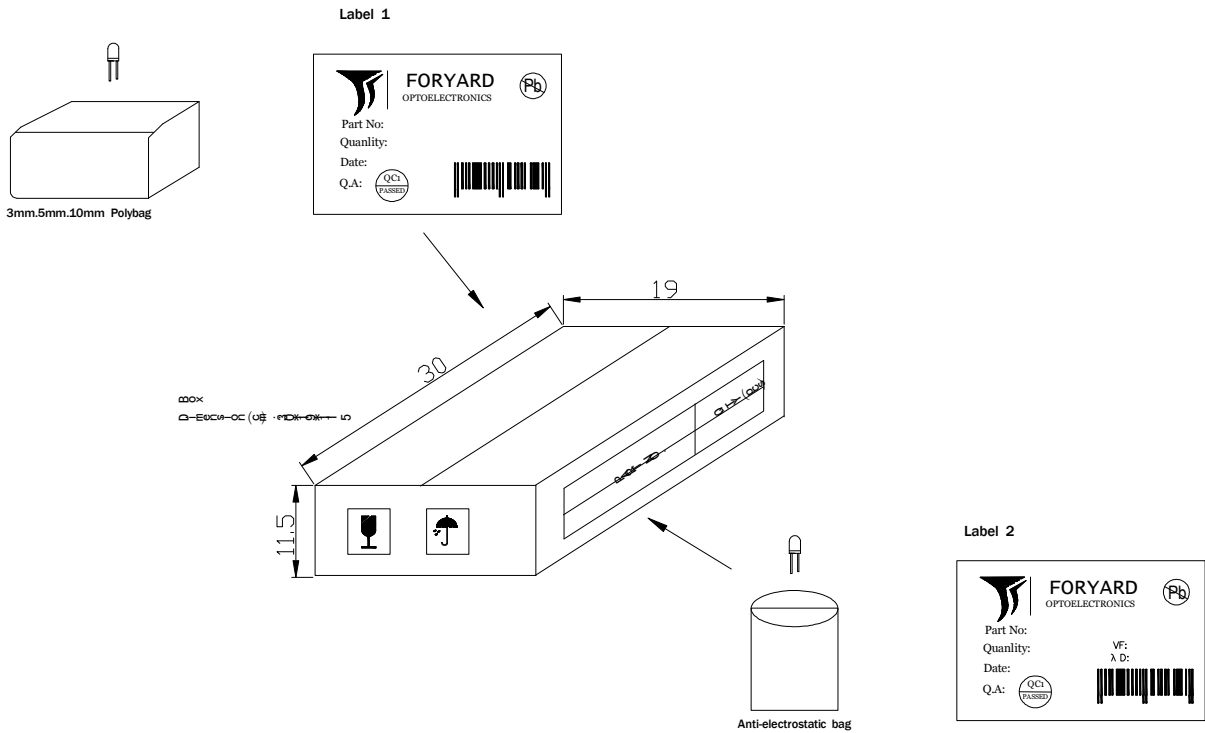
Electrical and optical characteristics($T_a=25\text{ }^\circ\text{C}$)

| Parameter | Symbol | Min. | Typ. | Max. | Unit | Test Condition |
|--------------------------|------------------|------|------|------|-------|----------------|
| Radiant Intensity | Ee | 40 | 60 | - | Mw/sr | IF=50mA |
| Viewing Angle | 2 $\theta_{1/2}$ | 20 | 25 | 30 | Deg | |
| Peak Emission Wavelength | λ_p | - | 940 | - | nm | |
| Spectral Line Width | $\Delta\lambda$ | 40 | 45 | 50 | nm | |
| Forward Voltage | VF | - | 1.5 | 1.65 | V | 5 V |
| Reverse Current | | | | 10 | uA | |

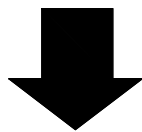
Typical Electrical Characteristics Curves (25 °c Ambient Temperature Unless Otherwise Noted)



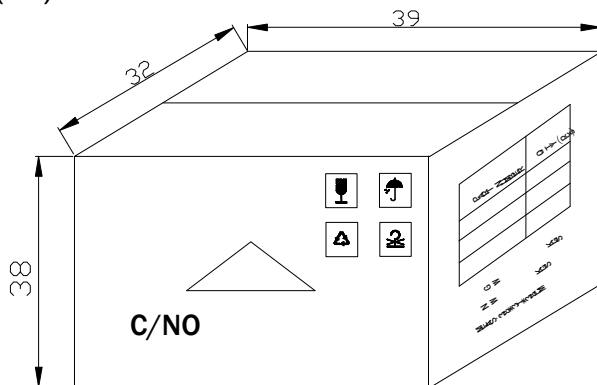
LAMP PACKING.



| DEVICE | QTY/polybag(pcs) | Polybag/box A | Fig |
|------------------|------------------|---------------|---------|
| 5mm(T-1 3/4) | 1000 | 8 bags | Label 1 |
| 3mm(T-1) | 1000 | 10 bags | Label 1 |
| 10mm(T-1) | 250 | 8 bags | Label 1 |
| Blue/Green/White | 500pcs | 8 bags | Label 2 |



CARTON
Dimension(cm):39*32*38



6 Boxes/Carton
 5mm:48,000pcs
 3mm:60,000pcs
 10mm:12,000pcs
 Blue/Pure Green/bluish Green
 /White:24,000pcs