

FYL-5463XXX1B

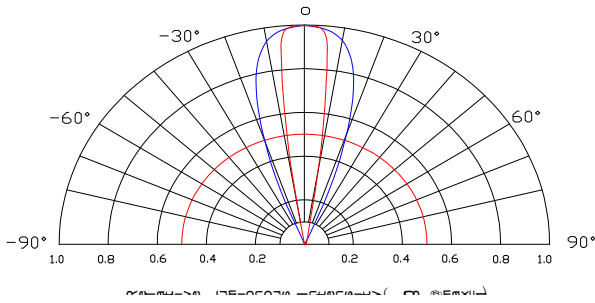
Features:

- General purpose leads
- RoHs compliant.

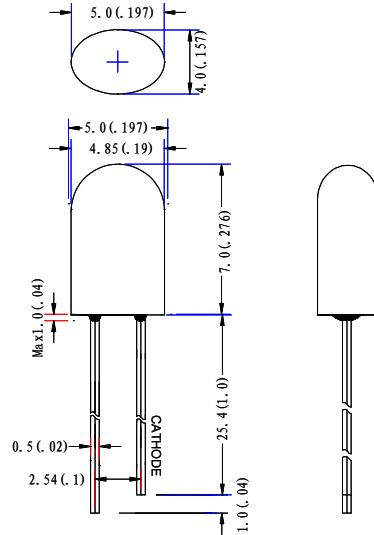
Descriptions:

- Dice material: GaP/GaAsP/InGaN/AlGaInP.
- Device Outline: $\Phi 5 \times 4$ mm ellipse Type.

Radiation pattern.



Package configuration



- ◆ All dimensions are millimeters (inches)
- ◆ Tolerance is $\pm 0.25\text{mm}(.010\text{'})$ unless otherwise noted.

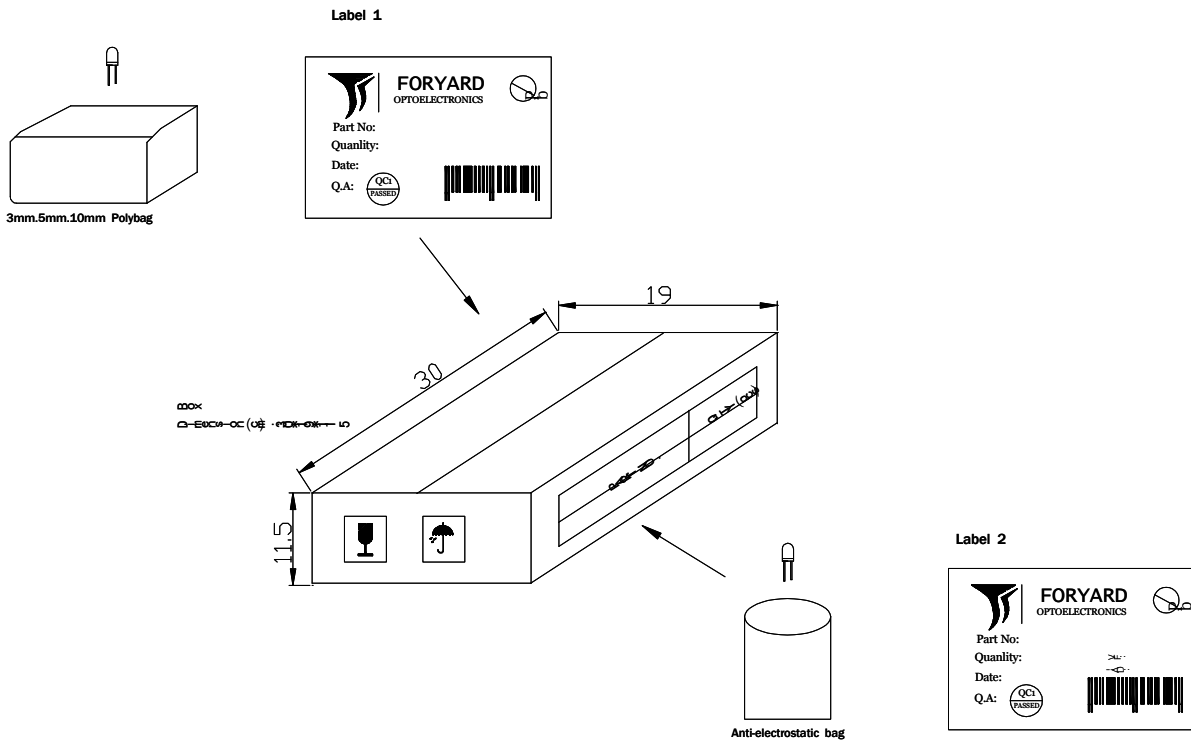
Absolute maximum ratings($T_a=25^\circ\text{C}$)

Parameter	MAX.	Unit
Continuous Forward Current	20	mA
Derating Linear From 50°C	0.4	mA/ $^\circ\text{C}$
Reverse Voltage	5	V
Operating Temperature Range	-30°C to $+80^\circ\text{C}$	
Storage Temperature Range	-40°C to $+100^\circ\text{C}$	
Lead Soldering Temperature[4mm(.157") From Body]	260°C for 5 Seconds	

Optical Characteristics at TA = 25° C,IF=20mA.

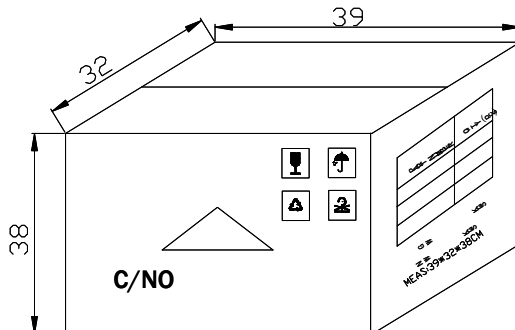
Part Number	Lens Color	Wave length (nm)	Intensity (mcd)	Angle 2 θ 1/2
FYL-5463NURT1B	Red transparent	630	2300	60 / 30
FYL-5463SURC1B	Water clear	630	1200	60 / 30
FYL-5463SUAC1B	Water clear	610	1100	60 / 30
FYL-5463LUYC1B	Water clear	588	4000	60 / 30
FYL- 5463PGT1B	Green transparent	520	10500	60 / 30
FYL-5463BGC1B	Water clear	505	10000	60 / 30
FYL-5463UBT1B	Blue transparent	470	2200	60 / 30
FYL-5463UBD1B	Blue diffused	470	1200	80 / 35
FYL-5464UWC1B-UWW	Water clear	X:0.43 Y:0.42 CCT:3300k	4500	60 / 30
FYL-5464UWC1B	Water clear	X:0.29 Y:0.30 CCT:9500k	4500	60 / 30
FYL-5464UWC1B-UWW	Water clear	X:0.25 Y:0.26 CCT:15000k	4500	60 / 30

LAMP PACKING.



DEVICE	QTY/polybag(pcs)	Polybag/box A	Fig
5mm(T-1 3/4)	1000	8 bags	Label 1
3mm(T-1)	1000	10 bags	Label 1
10mm(T-1)	250	8 bags	Label 1
Blue/Green/White	500pcs	8 bags	Label 2

CARTON
Dimension(cm):39*32*38



6 Boxes/Carton
5mm:48,000pcs
3mm:60,000pcs
10mm:12,000pcs
Blue/Pure Green/bluish Green
/White:24,000pcs