

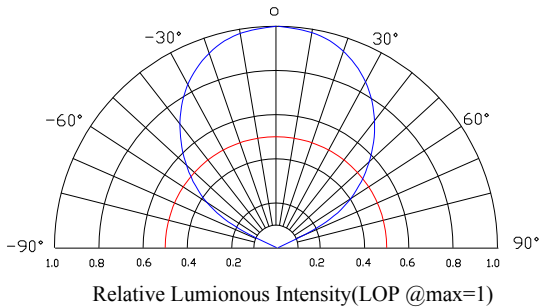
FYL- 55A3XXXX1E

Features:

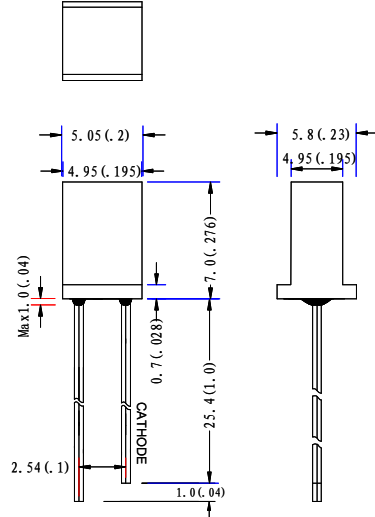
- General purpose leads
- RoHs compliant.

Descriptions:

- Dice material: GaP/GaAsP/InGaN/AlGaInP.
- Device Outline: 5*5mm Square Type.
- Radiation pattern.



Package configuration



- ◆ All dimensions are millimeters (inches)
- ◆ Tolerance is $\pm 0.25\text{mm}(.010\text{'})$ unless otherwise noted.

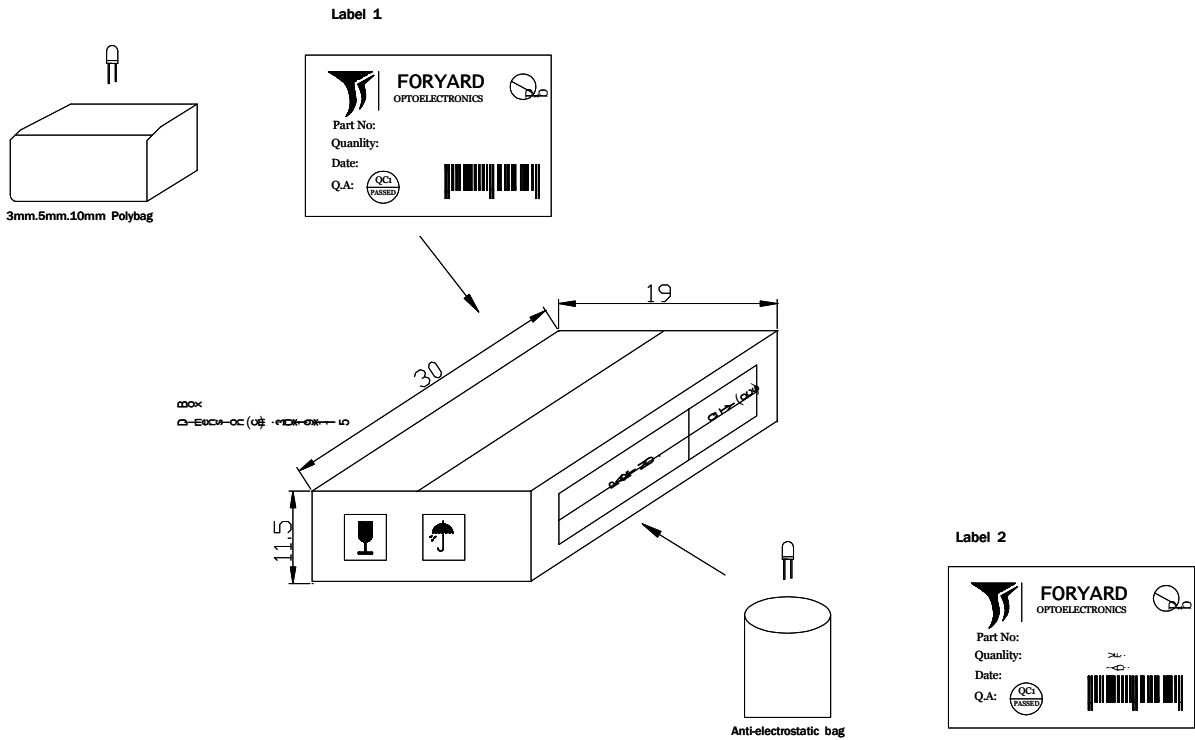
Absolute maximum ratings($T_a=25\text{ }^\circ\text{C}$)

Parameter	MAX.	Unit
Continuous Forward Current	20	mA
Derating Linear From $50\text{ }^\circ\text{C}$	0.4	mA/ $^\circ\text{C}$
Reverse Voltage	5	V
Operating Temperature Range	$-30\text{ }^\circ\text{C}$ to $+80\text{ }^\circ\text{C}$	
Storage Temperature Range	$-40\text{ }^\circ\text{C}$ to $+100\text{ }^\circ\text{C}$	
Lead Soldering Temperature[4mm(.157") From Body]	$260\text{ }^\circ\text{C}$ for 5 Seconds	

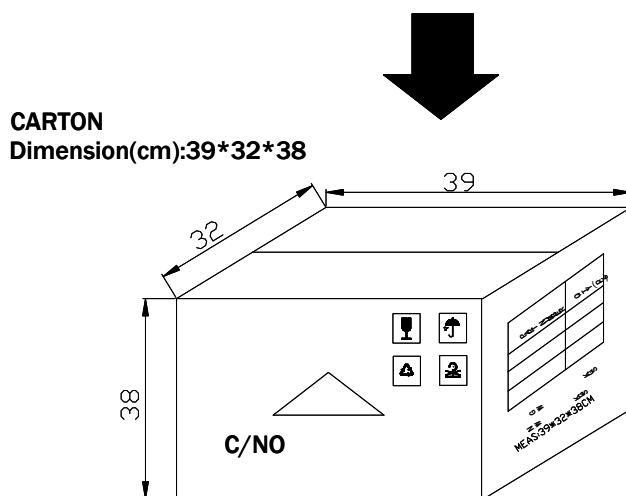
Optical Characteristics at TA = 25° C,IF=20mA.

Part Number	Lens Color	Wave length (nm)	Intensity (mcd)	Angle ^{2 θ} 1/2
FYL-55A3HD1E	Red diffused	700	40	110
FYL-55A3SRD1E	Red diffused	660	100	110
FYL-55A3ED1E	Red diffused	625	50	100
FYL-55A3YD1E	Yellow diffused	588	50	110
FYL-55A3GD1E	Green diffused	568	45	110
FYL-55A3LRD1E	Red diffused	660	130	110
FYL-55A3SURC1E	Water clear	630	500	110
FYL-55A3NURC1E	Water clear	630	800	110
FYL-55A3LURC1E	Water clear	630	1100	110
FYL-55A3SUEC1E	Water clear	625	550	110
FYL-55A3SUYC1E	Water clear	588	580	110
FYL-55A3SUGC1E	Water clear	568	480	110
FYL-55A3PGC1E	Water clear	520	2000	110
FYL-55A3BGC1E	Water clear	505	2000	110
FYL-55A3UBC1E	Water clear	470	1000	110
FYL-55A4UWC1E	Water clear	X:0.29 Y:0.30 CCT:9500K	1200	110

LAMP PACKING.



DEVICE	QTY/polybag(pcs)	Polybag/box A	Fig
5mm(T-1 3/4)	1000	8 bags	Label 1
3mm(T-1)	1000	10 bags	Label 1
10mm(T-1)	250	8 bags	Label 1
Blue/Green/White	500pcs	8 bags	Label 2



6 Boxes/Carton
 5mm:48,000pcs
 3mm:60,000pcs
 10mm:12,000pcs
 Blue/Pure Green/bluish Green
 /White:24,000pcs