

Концевые выключатели

Features

- High precision and metal die-casting body.
- Easy to wire connection construction.
- High mechanical strength.
- Dust-proof construction.



Specifications

| Item | Standard |
|----------------------------|-------------------------------|
| Rating | 5A, 125V or 250VAC |
| Contact Resistance | 25mΩ max.(initial) |
| Insulation Resistance | 100MΩ min. (at 500VDC) |
| Dielectric Strength | 1,000VAC,50/60Hz for 1 minute |
| Service Life Mechanically: | 1,000,000 operations min. |
| Service Life Electrically | 100,000 operations min. |

Product Selection

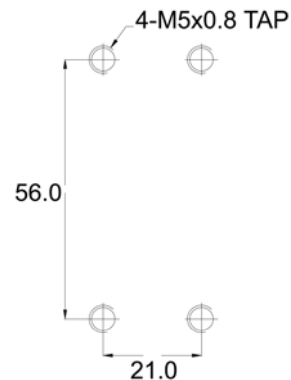
AH

1

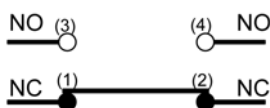
HEAD AND ACTUATOR

- 8111:** Push plunger type
- 8112:** Roller plunger type
- 8122:** Roller plunger type angle 90°
- 8104:** Roller arm type
- 8107:** Rod lever type
- 8108:** Adjustable roller arm type (standard roller)
- 8166:**Thermoplastic end flexible rod type
- 8169:**Cat whisker type
- 9101:**Wobble opening

Mounting Hole



Contact Configuration



Концевые выключатели

Operating Characteristics

Unit :mm

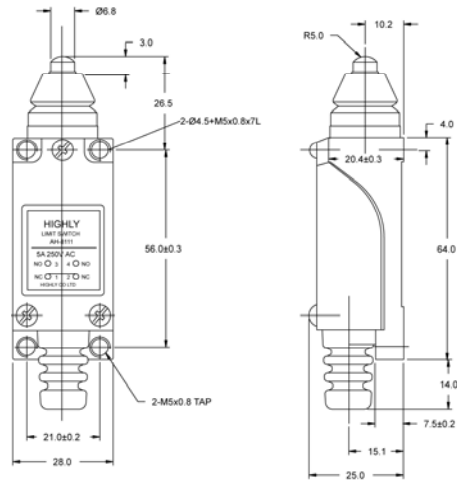
Item NO.

Dimensions

AH8111



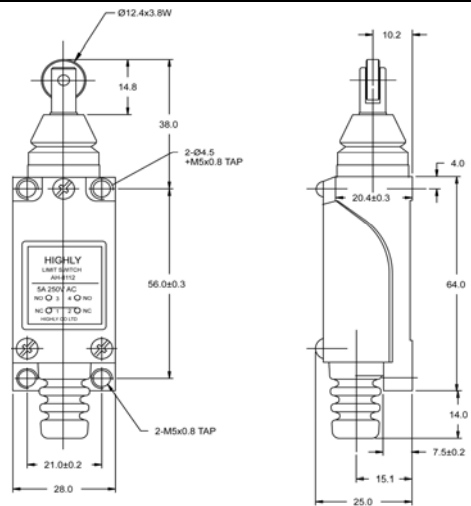
| | |
|---------|-------|
| OF max. | 900g |
| RF min. | 150g |
| PT max. | 1.5mm |
| MD max. | 0.7mm |
| OT min. | 4mm |
| TT min. | 5.5mm |



AH8112



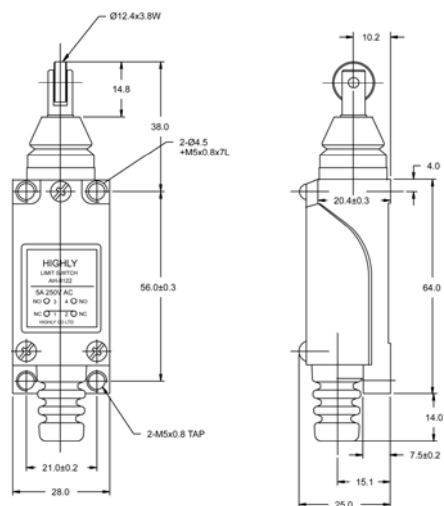
| | |
|---------|-------|
| OF max. | 900g |
| RF min. | 150g |
| PT max. | 1.5mm |
| MD max. | 0.7mm |
| OT min. | 4mm |
| TT min. | 5.5mm |



AH8122



| | |
|---------|-------|
| OF max. | 900g |
| RF min. | 150g |
| PT max. | 1.5mm |
| MD max. | 0.7mm |
| OT min. | 4mm |
| TT min. | 5.5mm |



Концевые выключатели

Operating Characteristics

Unit :mm

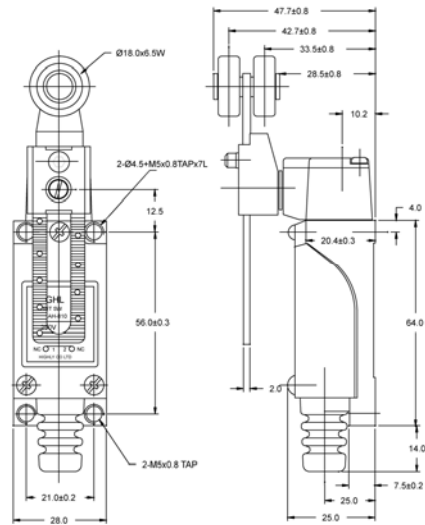
Item NO.

Dimensions

AH8104



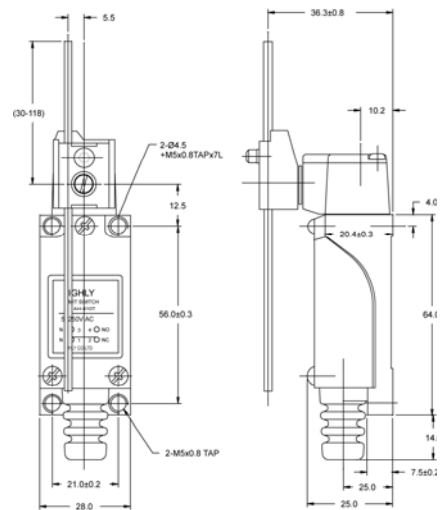
| | |
|---------|------|
| OF max. | 600g |
| RF min. | 50g |
| PT max. | 20° |
| MD max. | 10° |
| OT min. | 75° |
| TT min. | 95° |



AH8107



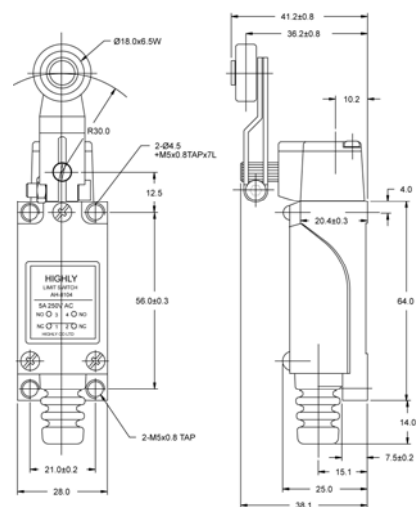
| | |
|---------|----------|
| OF | 800-230g |
| RF | 50-12g |
| PT max. | 20° |
| MD max. | 10° |
| OT min. | 75° |
| TT min. | 95° |



AH8108



| | |
|---------|----------|
| OF | 800-342g |
| RF | 50-12g |
| PT max. | 20° |
| MD max. | 10° |
| OT min. | 75° |
| TT min. | 95° |



Концевые выключатели

Operating Characteristics

Unit :mm

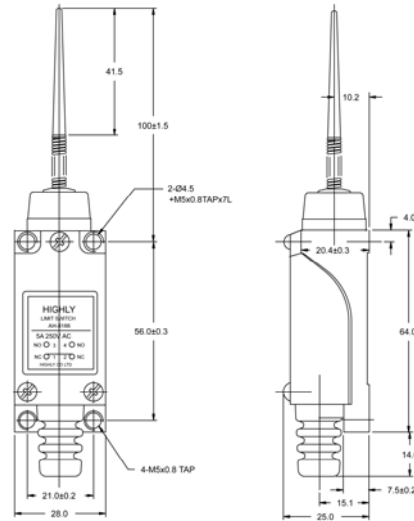
Item NO.

Dimensions

AH-8166



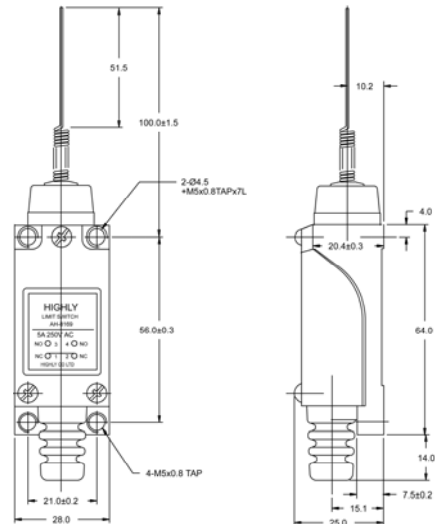
| | |
|---------|------|
| OF max. | 900g |
| RF min. | -- |
| PT max. | 30mm |
| MD max. | -- |
| OT min. | 20mm |
| TT min. | 50mm |



AH8169



| | |
|---------|------|
| OF max. | 900g |
| RF min. | -- |
| PT max. | 30mm |
| MD max. | -- |
| OT min. | 20mm |
| TT min. | 50mm |



AH9101



| | |
|---------|------|
| OF max. | 900g |
| RF min. | -- |
| PT max. | 30mm |
| MD max. | -- |
| OT min. | 20mm |
| TT min. | 50mm |

