

Кнопочные переключатели

Features

- The power switch conforms to safety standards for electrical equipment.
- A superior space factor by reducing the depth dimension.
- The snap-in type for easy mounting.
- The color can be changed to correspond to the set design.



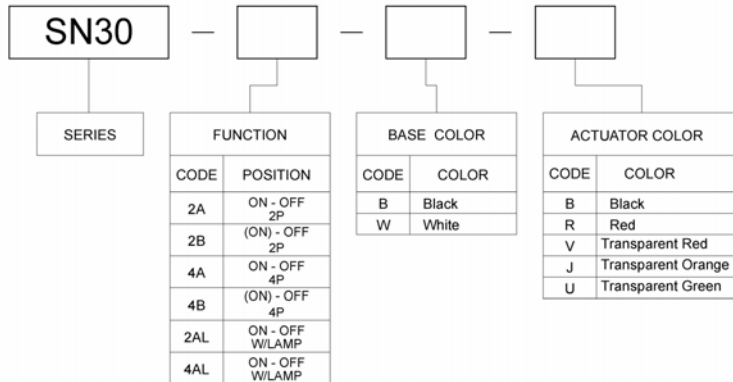
Applications

- Data processing equipment and office equipment such as monitors, home electric equipment and power supply.

Specifications

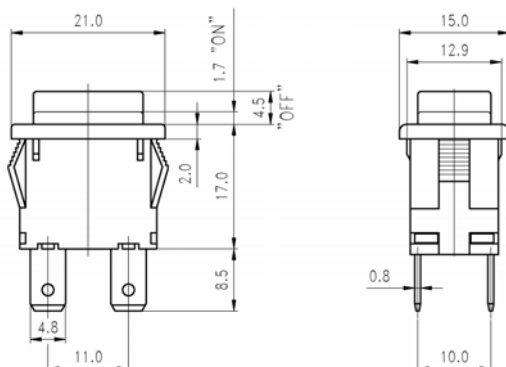
Item	Standard
Rating	10A 250V AC 12A 125V AC (UL 1054 EN61058-1)
Insulation Resistance	100MΩ min. (Dc 500v)
Dielectric Strength	AC 1000V (50/60Hz for 1 minute)
Contact Resistance	50mΩ max.
Electrically Life	10,000 cycles

Product Selection



FUNCTION	SCHEMATIC
4A	
4B	
4AL	

Dimensions



Panel hole size



PANEL THICKNESS	DIM. X
0.75 ~ 1.25	19.2
1.25 ~ 2.0	19.4
2.0 ~ 3.0	19.6