

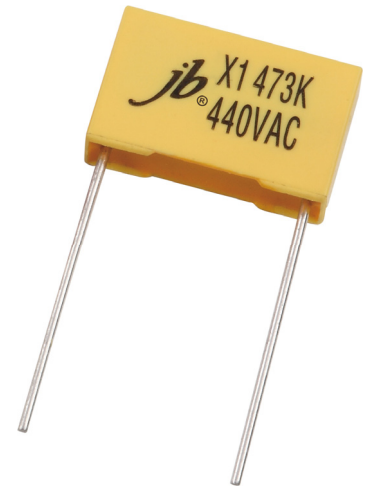
# jb<sup>®</sup> Metallized Polypropylene Film AC Capacitor Class-X1- JFT

## ■ FEATURES

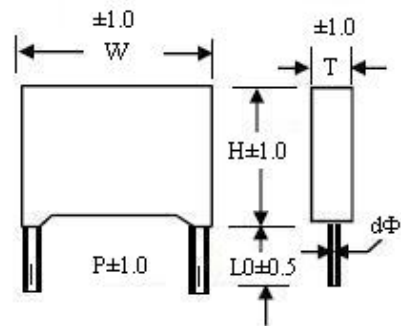
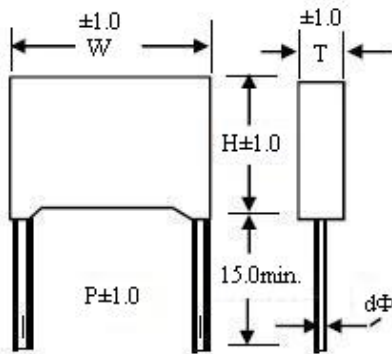
This specifications cover the requirements of jb Metallized Polypropylene Film AC Capacitor (Interference Suppressors Class-X1)

## ■ SPECIFICATIONS

- Capacitor Class "X1" stands for X1 class
- Climatic Category 55/ 105/ 21
- Operating Temperature Range -55°C ~ +105°C (for which the capacitor can be operated continuously at rated voltage.
- Rated Voltage 300V.AC
- Capacitance Range 0.0022 ~ 4.7  $\mu$ F
- Capacitance Tolerance  $\pm$ 10%
- Insulation Resistance (I.R.)  $\geq$ 15,000 MOhm (C $\leq$ 0.33  $\mu$ F)  
 $\geq$ 5,000 MOhm (C $>$ 0.33  $\mu$ F)
- Dissipation Factor (DF) 0.001 (0.1%)max. at 1KHz



## ■ DRAWING



## ■ STANDARD SIZE (mm)

Mfd	W $\pm$ 1.0	H $\pm$ 1.0	T $\pm$ 1.0	P $\pm$ 1.0
0.0022	13.0	11.0	5.0	10.0
0.0033	13.0	11.0	5.0	10.0
0.0047	13.0	11.0	5.0	10.0
0.0056	13.0	11.0	5.0	10.0
0.0068	13.0	11.0	5.0	10.0
0.0082	13.0	11.0	5.0	10.0
0.01	18.0	11.0	5.0	15.0
	13.0	11.0	5.0	10.0
0.012	18.0	12.0	6.0	15.0
	13.0	11.0	5.0	10.0
0.015	18.0	12.0	6.0	15.0
	13.0	11.0	5.0	10.0
0.018	18.0	12.0	6.0	15.0
	13.0	11.0	5.0	10.0
0.022	18.0	12.0	6.0	15.0
	13.0	12.0	6.0	10.0
0.027	18.0	12.0	6.0	15.0
	13.0	12.0	6.0	10.0
0.033	18.0	12.0	6.0	15.0
0.039	18.0	12.0	6.0	15.0
0.047	18.0	12.0	6.0	15.0
0.056	18.0	12.0	6.0	15.0
0.068	18.0	13.5	7.5	15.0
0.082	18.0	13.5	7.5	15.0
0.1	18.0	14.5	8.5	15.0
0.12	18.0	14.5	8.5	15.0
0.15	26.5	16.5	7.0	22.5
	18.0	16.0	10.0	15.0

Mfd	W $\pm$ 1.0	H $\pm$ 1.0	T $\pm$ 1.0	P $\pm$ 1.0
0.18	26.5	17.0	8.5	22.5
	18.0	18.0	10.0	15.0
0.2	26.5	17.0	8.5	22.5
0.22	26.5	17.0	8.5	22.5
0.27	26.5	19.0	10.0	22.5
0.33	32.0	18.0	9.0	27.5
	26.5	19.0	10.0	22.5
0.39	32.0	18.0	9.0	27.5
	26.5	19.0	10.0	22.5
0.47	32.0	20.0	11.0	27.5
	26.5	20.0	11.5	22.5
0.56	32.0	21.5	13.0	27.5
0.68	32.0	21.5	13.0	27.5
0.82	32.0	25.5	16.0	27.5
1.0	32.0	26.0	18.0	27.5
1.2	32.0	26.0	18.0	27.5
1.5	38.0	30.0	20.0	31.0
2.0	41.0	31.5	24.0	37.5
2.2	41.0	31.5	24.0	37.5
2.7	48.0	32.0	22.0	41.0
3.0	48.0	37.0	25.0	41.0
3.3	48.0	37.0	25.0	41.0
3.9	58.0	38.0	26.0	51.0
4.7	58.0	38.0	26.0	51.0
0.033	13.0	12.0	6.0	10.0

Please visit our website to get more update data, those data & specification are subject to change without notice.

jb<sup>®</sup> Capacitors Company

Web-site: [www.jbcapacitors.com](http://www.jbcapacitors.com)

E-mail: [info@jbcapacitors.com](mailto:info@jbcapacitors.com)

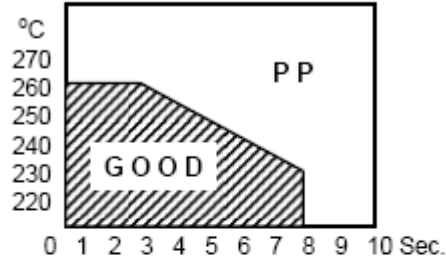
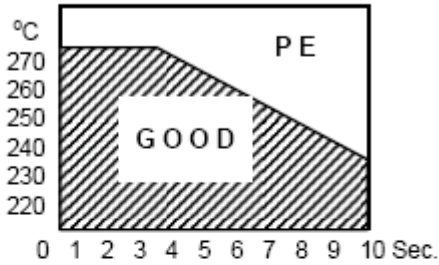
Tel : (852)2790 5091

Fax: (852)8169 8283

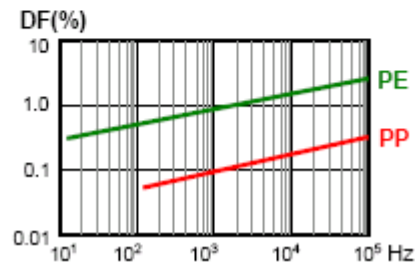
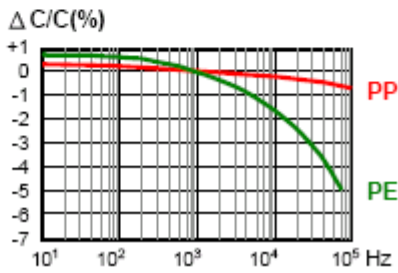
# jb® Metallized Polypropylene Film AC Capacitor Class-X1- JFT

## ■ CHARACTERISTICS REFERENCE

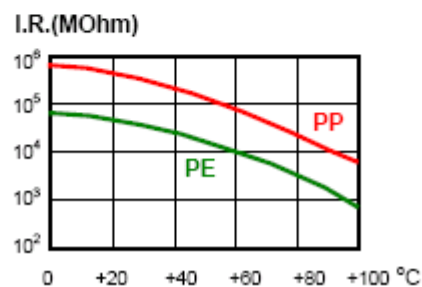
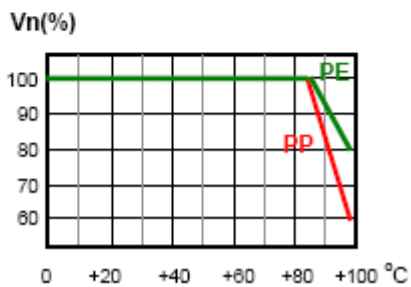
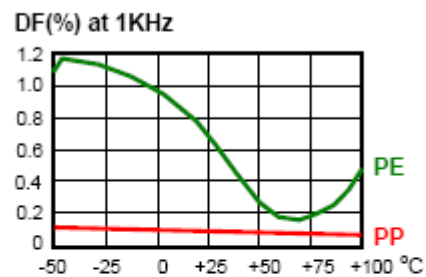
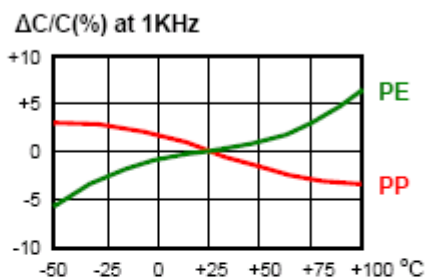
### Soldering Temperature VS Time



### Frequency Characteristics



### Temperature Characteristics



Please visit our website to get more update data, these data & specification are subject to change without notice.