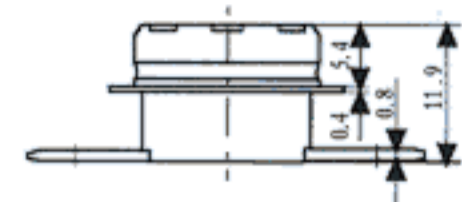
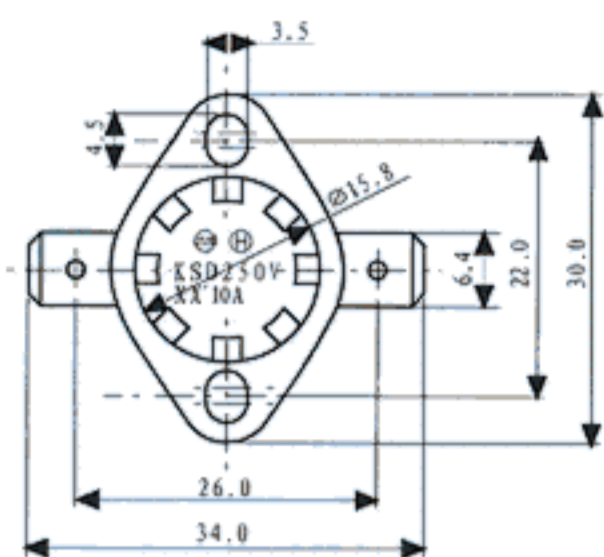


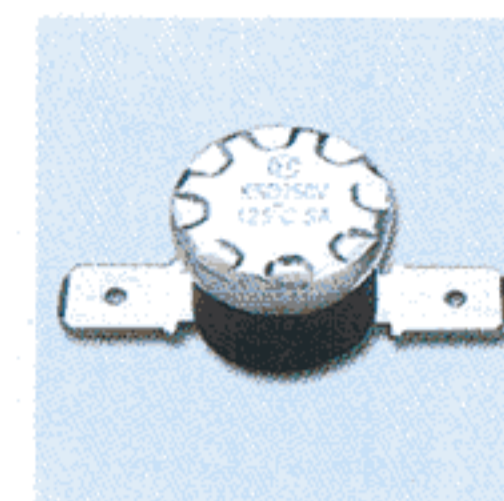
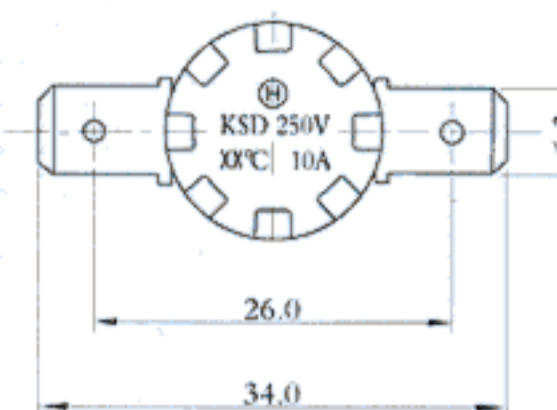
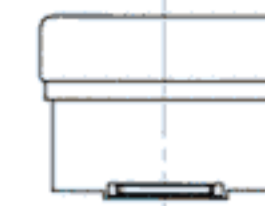
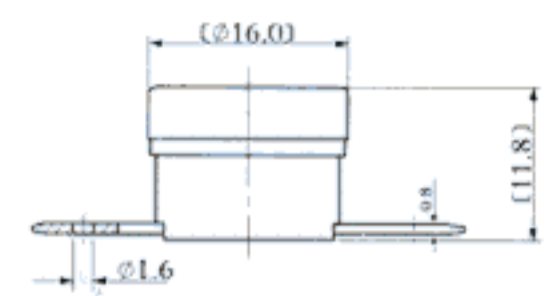
# KSD-F01 (KSD-F01 SERIES)

## THERMOSTAT

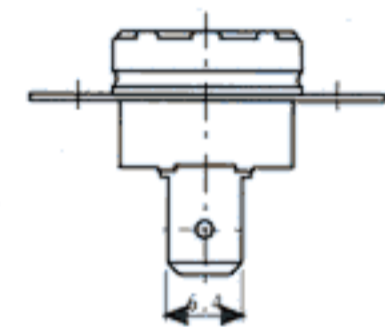
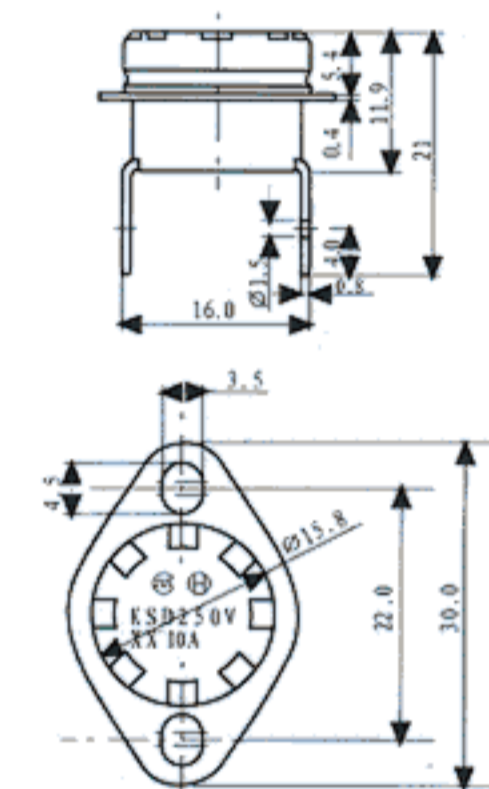
(FBHL) Fixed Bracket Horizontal Lead



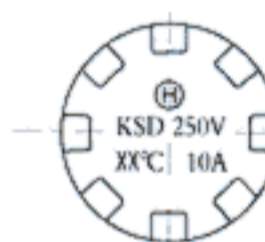
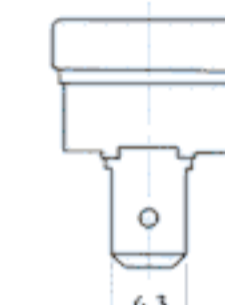
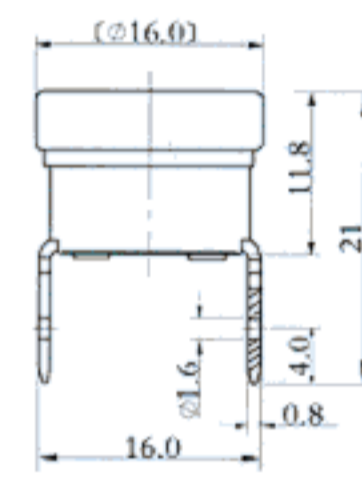
(W/O BHL) Without Bracket Horizontal Lead



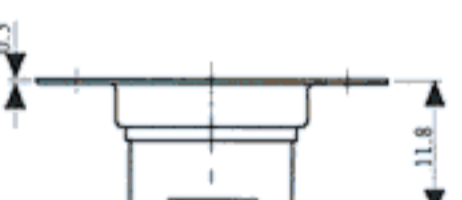
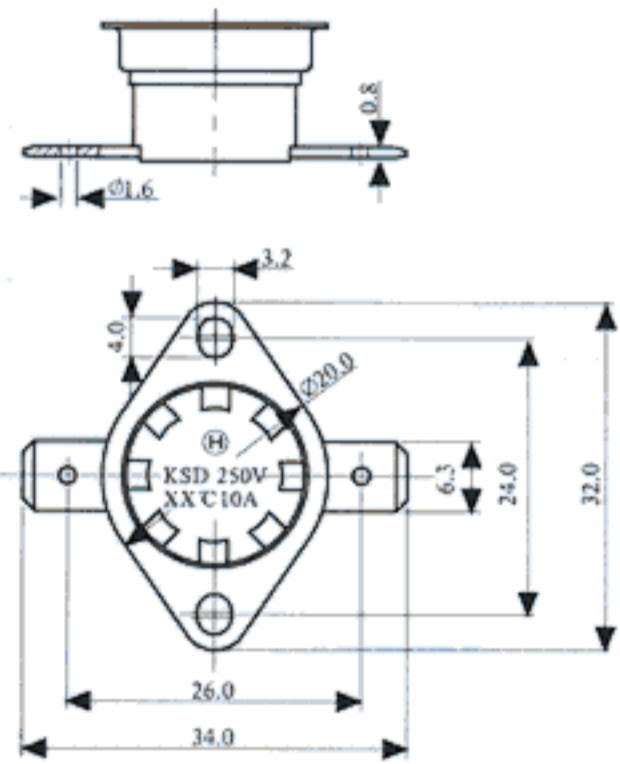
(FBVL) Fixed Bracket Vertical Lead



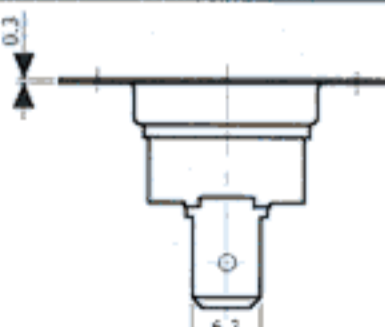
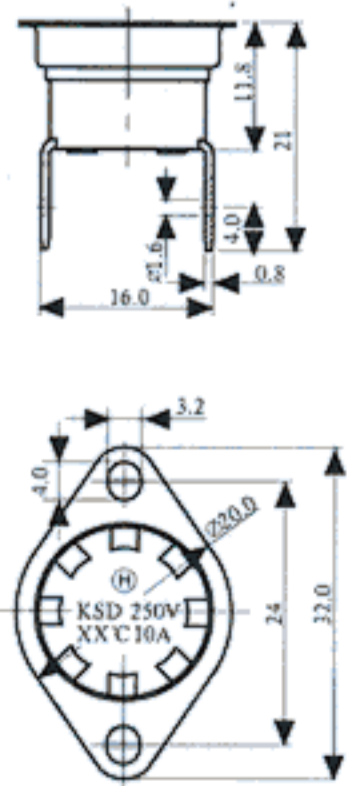
(W/O BVL) Without Bracket Vertical Lead



(LBHL) Loose Bracket Horizontal Lead



(LBVL) Loose Bracket Vertical Lead



### KSD-F01

Rated Functioning Temp. Toff (°C)	Reset Temp. Ton (°C)	Voltage AC (V)	Current (A)	Approvals
				TUV
48 ± 3	35 ± 8	250	5, 10	
55 ± 3	40 ± 8	250	5, 10	
58 ± 3	42 ± 8	250	5, 10	
60 ± 3	45 ± 5	250	5, 10	
65 ± 3	48 ± 5	250	5, 10	
70 ± 3	55 ± 5	250	5, 10	●
75 ± 3	55 ± 7	250	5, 10	●
80 ± 3	60 ± 7	250	5, 10	●
85 ± 3	65 ± 7	250	5, 10	●
90 ± 3	70 ± 10	250	5, 10	●
95 ± 3	70 ± 10	250	5, 10	●
100 ± 3	70 ± 10	250	5, 10	●
105 ± 3	80 ± 10	250	5, 10	●
110 ± 3	85 ± 10	250	5, 10	●
115 ± 5	85 ± 15	250	5, 10	●
120 ± 5	90 ± 15	250	5, 10	●
125 ± 5	95 ± 10	250	5, 10	●
130 ± 5	95 ± 10	250	5, 10	●
135 ± 5	100 ± 10	250	5, 10	●
140 ± 5	110 ± 10	250	5, 10	●
145 ± 5	110 ± 10	250	5, 10	●
150 ± 7	120 ± 10	250	5, 10	●
155 ± 7	120 ± 10	250	5, 10	●
160 ± 10	130 ± 15	250	5, 10	●
165 ± 10	130 ± 15	250	5, 10	●
170 ± 10	130 ± 15	250	5, 10	●
175 ± 10	140 ± 15	250	5, 10	●
180 ± 10	140 ± 15	250	5, 10	●

Unit:mm

● DENOTES FOR APPROVED