

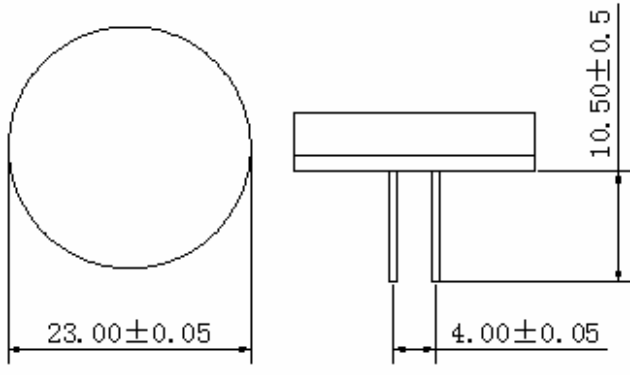
AR-G4-18H23-12V Warm AR-G4-18H23-12V White

1.3W BUCK constant current

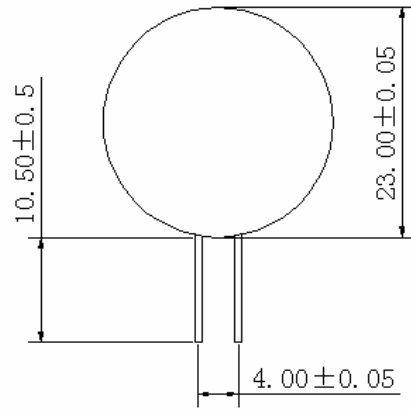


	Symbol	Values					Unit
		MIN	TYP		MAX		
Input voltage	Vin	10	12		30		VDC
Input current(Bright)	Iin	0.04	0.09		0.10		A
Oscillation Frequency	f	suitable for Industrial Frequency Transformer or High Frequency Electronic Transformer					Hz
Conversion efficiency	η	$\geq 90\%$					
Power Consumption(MAX)	P	1.3					W
LED QTY	- -	3					PCS
CRI	Ra	≥ 80 (Warm white) / ≥ 70 (Cool white)					
Product life	H	50000Hr					
Lamp shell		Aluminum					
Protection class	IP	--					--
Base		G4					
Center illuminance	E	Height 1m(CW)	Height 1.5m(CW)	Height 2m(CW)	Height 2.5m(CW)	Height 3m(CW)	LX
		--	--	--	--	--	
CCT	- -	3000(Warm white) /6000 (Cool white)					K
Luminous efficiency	η	75-80(Warm white) /70-75(Cool white)					Lm/W
Lumunous flux (MAX)	Φ	90-95 (Warm white) /90-95(Cool white)					Lm
Viewing Angle	- -	30					Deg
Operating Humidity	RH	25%			95%		%
Light source failure		3000Hr \leq 8%		30000Hr \leq 20%			%
Operating Temperature	Topr	-20	25		40		$^{\circ}$ C
EMC	EMI Radiation	Compliance to EN55015					
Net weight/		0.01 kg / month					kg

Mechanical Specification Unit: mm



G4 Side PIN



G4 Back PIN

Block Diagram

