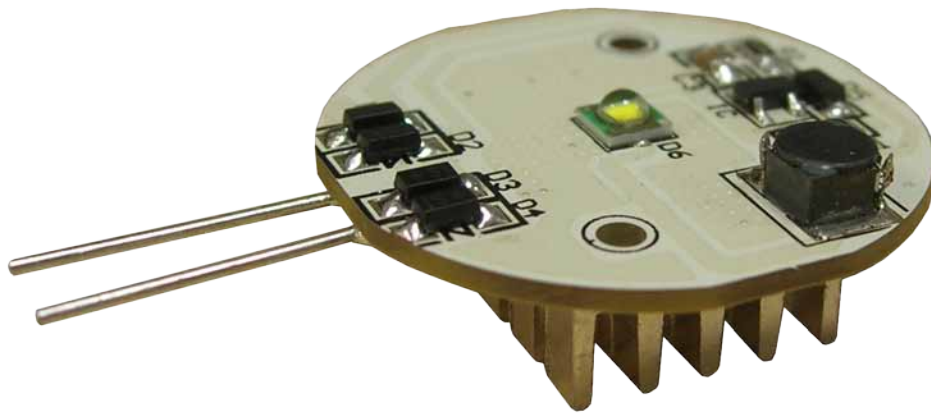


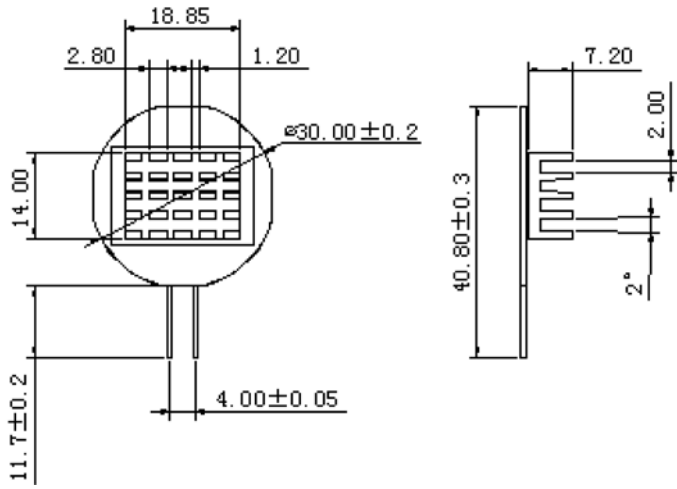
## AR-G4-1P30-12V Warm AR-G4-1P30-12V White

1W BUCK constant current



	Symbol	Values					Unit
		MIN	TYP		MAX		
Input voltage	Vin	10	12		30		VDC
Input current (Bright)	Iin	0.04	0.08		0.11		A
Oscillation Frequency	f	suitable for Industrial Frequency Transformer or High Frequency Electronic Transformer					Hz
Conversion efficiency	$\eta$	$\geq 80\%$					
Power Consumption (MAX)	P	1					W
LED QTY	- -	1					PCS
CRI	Ra	$\geq 80$ (Warm white) / $\geq 70$ (Cool white)					
Product life	H	50000Hr					
Lamp shell		Aluminum					
Protection class	IP						
Base		G4					
Center illuminance	E	Height 1m(CW)	Height 1.5m(CW)	Height 2m(CW)	Height 2.5m(CW)	Height 3m(CW)	LX
		--	--	--	--	--	
CCT	--	3000(Warm white) /6000 (Cool white) K					K
Luminous efficiency	$\eta$	60-65(Warm white) /75-80(Cool white)					Lm/W
Lumunous flux (MAX)	$\eta$	60-65 (Warm white) /75-80(Cool white)					Lm
Viewing Angle	--	120					deg
Operating Humidity	RH	25%			95%		%
Light source failure		3000Hr $\leq$ 8%				30000Hr $\leq$ 20%	%
Operating Temperature	Topr	-20	25		40		$^{\circ}$ C
EMC	EMI Radiation	Compliance to EN55015					
Net weight/		0.0051kg / month					

**Mechanical Specification** Unit: mm



G4 Side PIN

**Block Diagram**

