

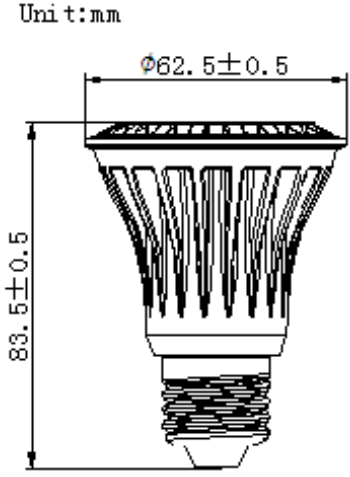
**Лампа E27 PAR20-5XP30dimmm Warm White 220V**



**Specification:**

Parameter	Symbol	Values					Unit
Input voltage	Vin	120V	230V			V <sub>DC</sub>	
Input current(Bright)	Iin	0.19	0.72			A	
Frequency	f	60Hz	50Hz			Hz	
Conversion efficiency	η	≥70%	≥70%				
Power Consumption(MAX)	P	6				W	
on-off times		10 000					
Low-temperature start time	t	1				s	
SDCM range	--	<6.1					
LED QTY	--	5				PCS	
CRI	Ra	≥80					
Product life	H	30000Hr					
Lamp shell		Aluminum					
Protection class	IP	IP40				---	
Base		E27					
Center illuminance	E	Height 1m(CW)	Height 1.5m(CW)	Height 2m(CW)	Height 2.5m(CW)	Height 3m(CW)	LX
		---	---	---	---	---	
CCT	--	3000				K	
Luminous efficiency	η	45-50				Lm/W	
Lumunous flux (MAX)	Φ	320-340				Lm	
Viewing Angle	--	30				Deg	
Operating Humidity	RH	25%	95%			%	
Light source failure		3000Hr≤8%	30000Hr≤20%			%	
Operating Temperature	Topr	-20~+25				°C	
SAFETY&EMC	WITHSTAND VOLTAGE	I/P-Enclosure:4KVAC					
	EMI Radiation	Compliance to EN55015					
Net weight/		0.13				kg	
gross weight/		---				kg	

**Mechanical Specification:**



**Block Diagram:**

