

turlens



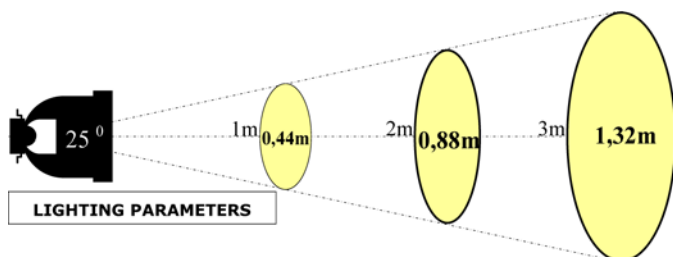
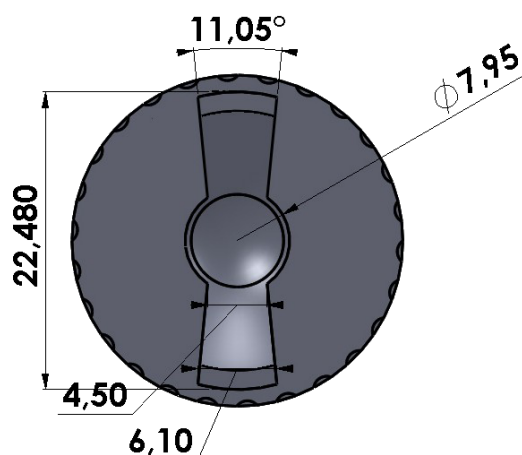
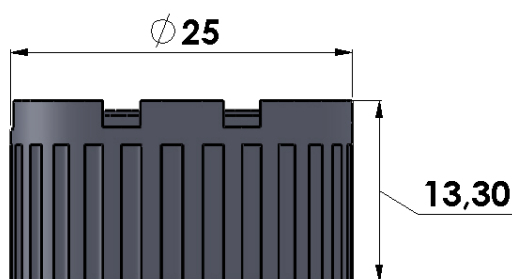
Типы светодиодов



**Линза 25DH3B
(25°, Emitter, black)**

Габариты. Упаковка

Кол-во в коробке	64 X 8 = 512 ед
Размер коробки	24*24*14 см
Вес коробки	2,110 Kg



TURLENS USE : Street Lighting , Office Lighting , Home Lighting , Stage Lighting , Architectural Lighting , Down Light Lighting , Decorative Lighting

Lens Material : Optical Grade Best Available Optical Efficiency

Lens Material : with high UV & Temperature Resistance -40°C ~ + 100°C

Lens Material : Light Transmittance High Productivity with 2mm Thickness

Holder Material : Operating Temperature -40°C ~ + 120°C

Holder Material : PCV2 & R O H S - Flame : High Heat Resistance

Holder Material : UV Allows use of High Current and Temperature Conditions

WARNING : If you Decide to use Glue only, Please Take Special Care of Correct Positioning