



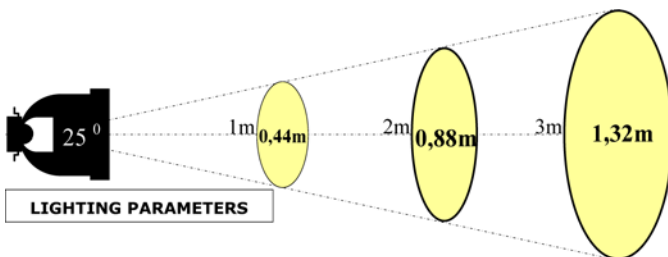
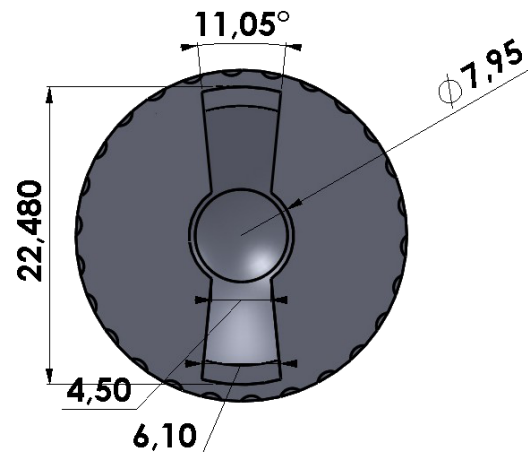
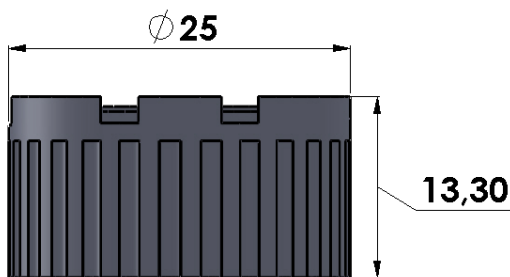
**Линза 25DH3W  
(25°, Emitter, white)**

## Типы светодиодов



## Габариты. Упаковка

Кол-во в коробке	64 X 8 = 512 ед
Размер коробки	24*24*14 см
Вес коробки	2,110 Kg



**TURLENS USE :** Street Lighting , Office Lighting , Home Lighting , Stage Lighting , Architectural Lighting , Down Light Lighting , Decorative Lighting

**Lens Material :** Optical Grade Best Available Optical Efficiency

**Lens Material :** with high UV & Temperature Resistance -40°C ~ + 100°C

**Lens Material :** Light Transmittance High Productivity with 2mm Thickness

**Holder Material :** Operating Temperature -40°C ~ + 120°C

**Holder Material :** PCV2 & R O H S - Flame : High Heat Resistance

**Holder Material :** UV Allows use of High Current and Temperature Conditions

**WARNING :** If you Decide to use Glue only, Please Take Special Care of Correct Positioning