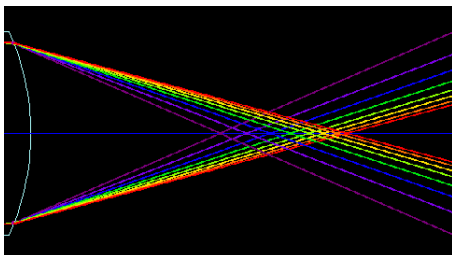
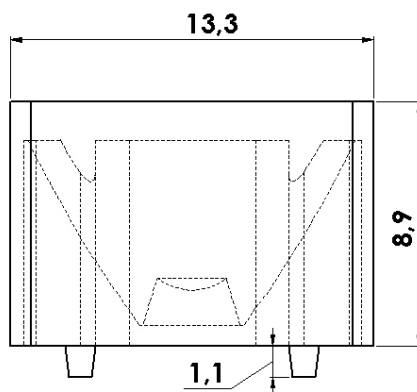
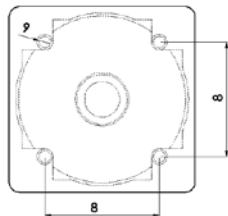
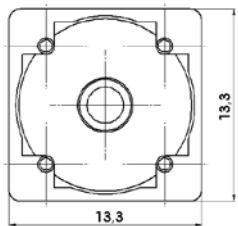
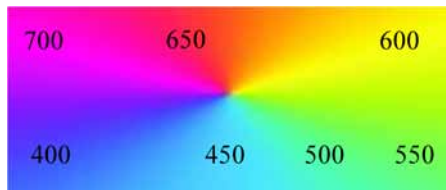




**Линза 30 градусов  
30DN3 CUBE (CREE)**



The Focus of Colorful Lights



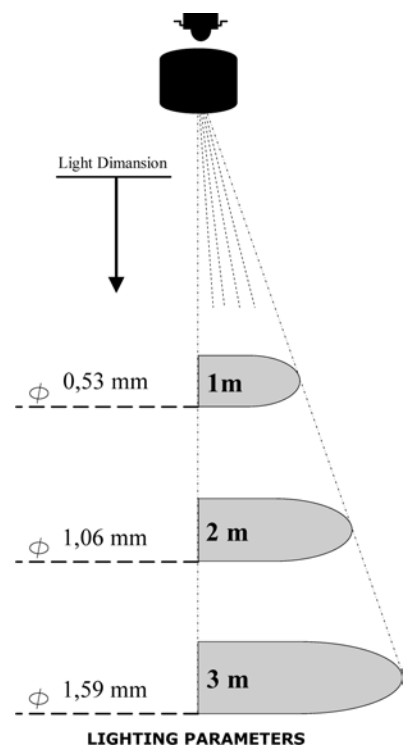
Lighting Nanometer

**Типы светодиодов**



**Габариты. Упаковка**

Кол-во в коробке	250*8=2000 ед
Размер коробки	24*24*15 cm
Вес линз	2,480 Kg ±3%
Вес коробки	2,950 Kg ±3%
Размер линзы	H: 8.9/ 13.2x13.2



**LIGHTING PARAMETERS**



**LENS USE:** Street ,Office,Home,Stage ,Architectural,DownLight , &Decorative Lighting.

**Lens Material:** Optical Grade Best Available Optical Efficiency with high UV & Temperature Resistance -40°C ~ +100°C Light Transmittance High Productivity with 2mmTh.

**WARNING:** If you Decide to use Glue only, Please Take Special Care of Correct Positioning.