

## Линза 10° ARL-01ED-AJ10L-M2

### Features

- High efficiency
- Optimized for uniform effects
- Lens with Housing

### Typical applications

- Stage Lighting
- Street Lights
- Decorative Light
- Architectural Lighting
- Down Light



### Compatible Led Type:

The ARL-01ED-AJ10L-M2 single lens are optimized for both Multi-Color R.G.B Edison LEDs and Single-Color Edison LEDs (Edixeon 1LA5 White) from Edison Opto.<sup>(1)</sup>

### Beam Angle Type:

An optimized profile integrate different front shape enable the generation of four different lens models: smallest beam(10deg)<sup>(2)</sup>

### The Way to Assembly:

The Lens should be assembled to the PCB board or MCPCB upon LEDs which provides the most appropriate related position, so as to achieve the best uniform results

*\*Manually installation or if necessary thermal glue are recommended.*

### Function:

ARL-01ED-AJ10L-M2 provides exceptional color mixing result with the highest efficiency through careful engineering and precision manufacturing process.

*\*Lens housings (holders) are available in Black, white and clear.*

### Notes:

(1) Edixeon 1LA5 is a trademark of Edison, Inc , for technical information on LEDs, please refer to Edison, Inc

(2) Typical beam divergence will be affected by different color of LEDs.

### General Specifications

|                             |                                    |
|-----------------------------|------------------------------------|
| Lens Material               | Optical Grade PMMA PC              |
| Operating Temperature range | -40°C ~ + 70°C (upper limit +80°C) |
| Storage Temperature range   | -40°C ~ + 70°C (upper limit +80°C) |

*\*Average transmittance in visible spectrum 400nm~700nm> 90%*

### Optical Specifications [Typical beam Angle and intensity (cd/lm) of LL01 lenses]

| Part No.                | Typical Cone Angle (degree) <sup>(3)</sup> with Edixeon 1LA5 |            |           |            |                 |
|-------------------------|--------------------------------------------------------------|------------|-----------|------------|-----------------|
|                         | Red LEDs                                                     | Green LEDs | Blue LEDs | White LEDs | Warm White LEDs |
| Линза ARL-01ED-AJ10L-M2 | 13                                                           | 14         | 17        | 20         | 20              |

The typical cone angle measures where the luminous intensity is 90% of the peak value of intensity. This typical cone varies with LED color due to different chip size and chip position tolerance.

| Part No.                | Typical on axis intensity (cd/lm) <sup>(4)</sup> with Edixeon 1LA5 |            |           |            |                 |
|-------------------------|--------------------------------------------------------------------|------------|-----------|------------|-----------------|
|                         | Red LEDs                                                           | Green LEDs | Blue LEDs | White LEDs | Warm White LEDs |
| Линза ARL-01ED-AJ10L-M2 | 670                                                                | 2300       | 90        | 1300       | 710             |

Luminous intensity depends on the flux binning and tolerance of the LEDs. Please refer to the LEDs datasheet for more details on flux binning and mechanical tolerance.

**Notes:**

(3) The typical divergence will be changed by different color, chip size and chip position tolerance. The typical total divergence is the full angle measured where the luminous intensity is half of the peak value.

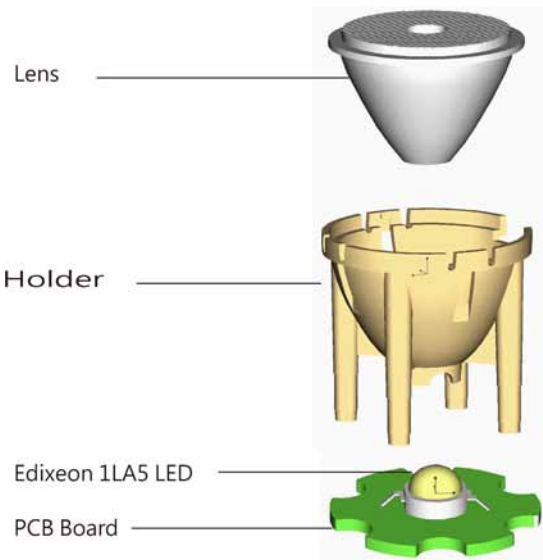
(4) The efficiency value listed above is the total value of the whole lens model, the value depends on the total flux of the LED used. Luminous intensity depends on the LEDs flux and its tolerances, for more details of LED flux, please check Edixeon data sheet.

## Mechanical Specifications

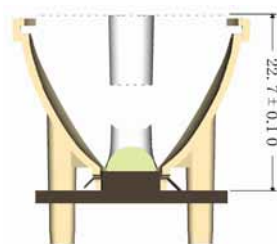
### Usage and Maintenance :

1. If necessary, clean lenses with mild soap, water and soft cloth
2. Never use any commercial cleaning solvents on lenses, like alcohol
3. Please handle or install lenses with wearing gloves, skin oils may damage lens or its optical characteristic.

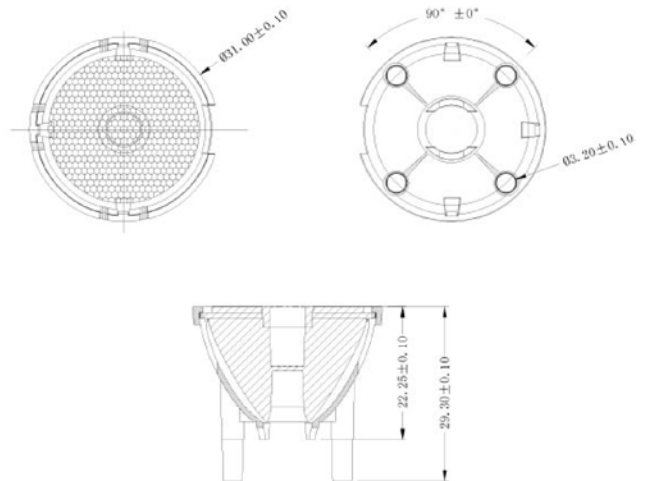
### 1. Lens+Leds+MCPCB assembly instruction:



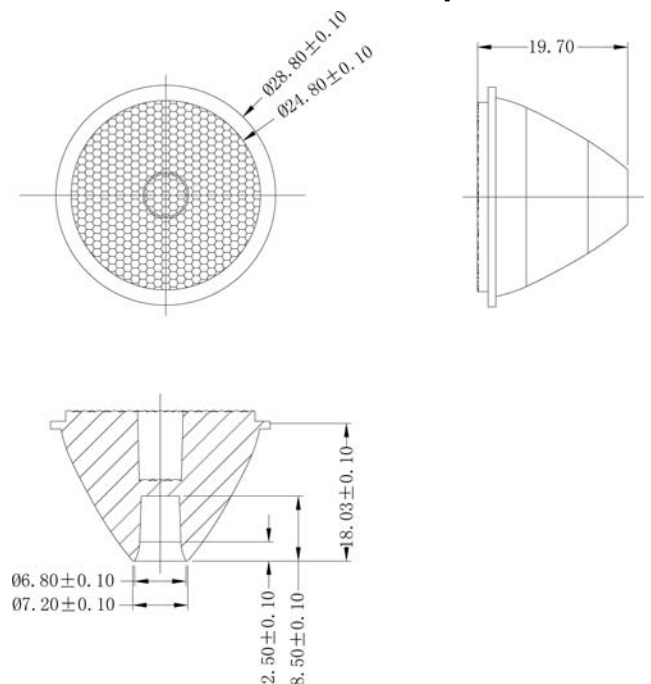
### 2. View assembly lens with MCPCB:



### 3. Lens assembly dimensions and Top Views:



### 4. Lens dimensions and Top Views:



**Notes:**

- (1) All dimensions are in mm.
- (2) Drawing not to scale.
- (3) Collimator material is PMMA.

# Illumination charts

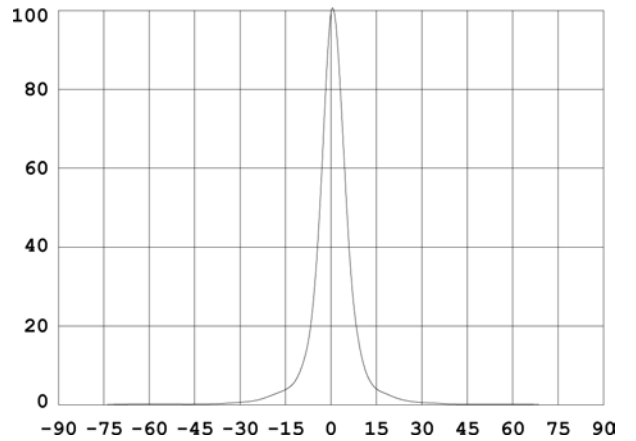
\*Edixeon® single white LED: Edixeon 1LA5

## ARL-01ED-AJ10L-M2

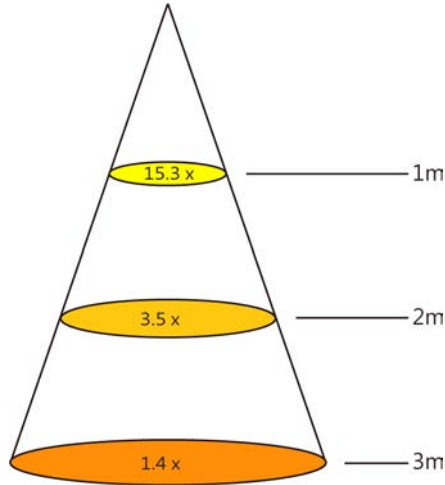
### 1. Beam Pattern



### 2. Angular Intensity Distribution



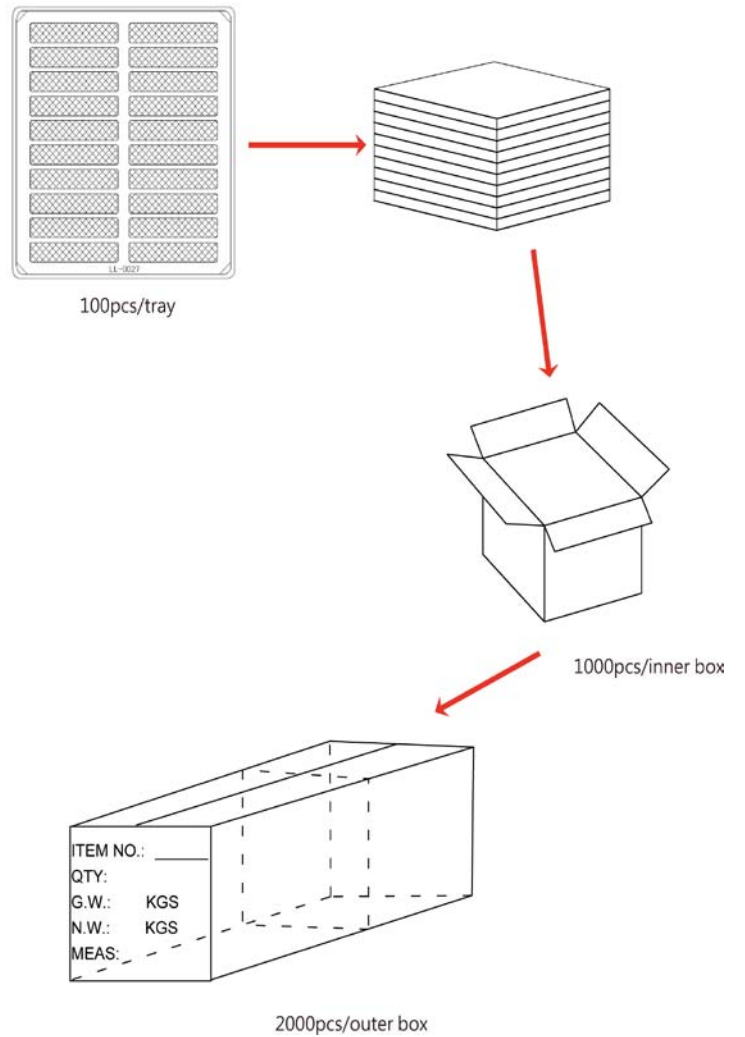
### 3. Shine on one degree diagram



**Notes:**

The Flux of Edixeon 1LA5 LED is 85 lm

### Package



| Item      | Quantity              | Total    | Size (LxWxH)    |
|-----------|-----------------------|----------|-----------------|
| Tray      | 100                   | 100 pcs  | 34x30x3.5 cm    |
| Inner box | 10 tray/box           | 1000 pcs | 35x31x21 cm     |
| Outer box | 2 inner box/outer box | 2000 pcs | 64.7x36.5x24 cm |