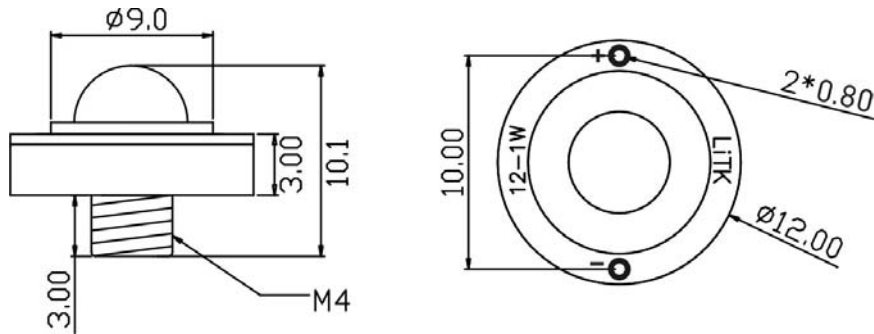


## LiTK-5W GREEN 180deg



### SPECIFICATIONS

#### Absolute Maximum Rating (Ta=25°C)

Item	Symbol	Absolute Maximum Rating	Unit
Forward Current	IF	700	mA
Peak Forward Current	IFP	750	mA
Reverse Voltage	VR	5	V
Power dissipation	PD	5	W
Electrostatic Discharge (HBM)	/	3000-6000	V
Operating Temperature	TOP	-40°C ~ 60°C	°C
Storage Temperature	TSTG	-40°C ~ 100°C	°C

IFP Conditions: Pulse Width≤10msec.and duty≤1/10

#### Initial Electrical/Optical Characteristics (Ta=25°C)

Item	Symbol	Condition	Min.	Typ.	Max.	Unit
Forward Voltage	VF	IF=700(mA)	6.5	---	7	V
Reverse Current	IR	VR=5(V)	0	---	20	u A
Viewing Angle	2θ1/2	IF=700(mA)	---	180	---	deg
Luminous Intensity	IV	IF=700(mA)	160	---	170	Lm
CCT		IF=700(mA)	---	---	---	k
Dominant Wavelength	λ D	IF=700(mA)	520	---	525	nm
Recommend Forward Current	IF(Rec)	---	---	700	---	mA