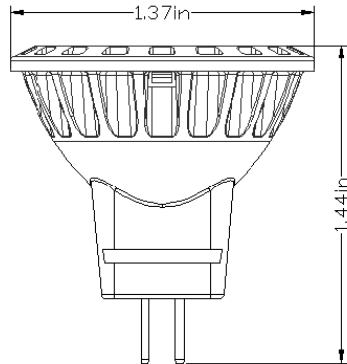


Лампа MR11 3MS120-12V Warm White



Line-Up:

Category	Specifications	Unit
Watts	1.6	W
Lumens per Watt (Efficacy)	69	Lm/W
Light Output	110	lm
Light Color (CCT)	3000	K
Beam Angle	120	°(degree)
Color Accuracy (CRI)	80	Ra
Product Weight	15	g
Dimension (mm)	36.5*35	mm
Rating Life	35 000	H
Base	GU4	
Input Voltage (AC)	12	V

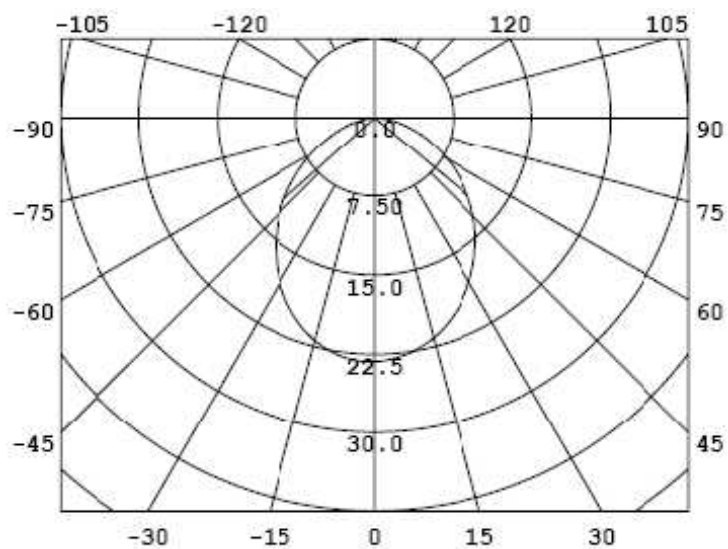
Technical Specifications:

Item	Test Conditions	Min.	Typ.	Max.
Input Voltage (V, rms)	AC	---	12	---
Input Current (mA, rms)	AC (12V)	---	160	---
Input Power (W, rms)	AC (All)	---	1.6	---
Input Frequency (Hz)	AC	---	20kHz	---
Power Factor (PF)	AC (All)	---		
Output Voltage (V)	DC	3.1	---	3.6
Output Current (A)	DC	0.32	0.33	0.35
Output Power (W)	DC	1	1.1	1.3

Environmental Requirements:

Specifications	Values
Operational Temperature Range	-20 ~ +40°C
Preservation Temperature Range	-20 ~ +90°C
Operational Humidity Range	95% Rh or belcw (@ -20 ~ +40°C)
Installation Area	Indoor (Counter, Residential, Commercial, etc)

Luminance Intensity Distribution:



Cone Lux Diagram:

