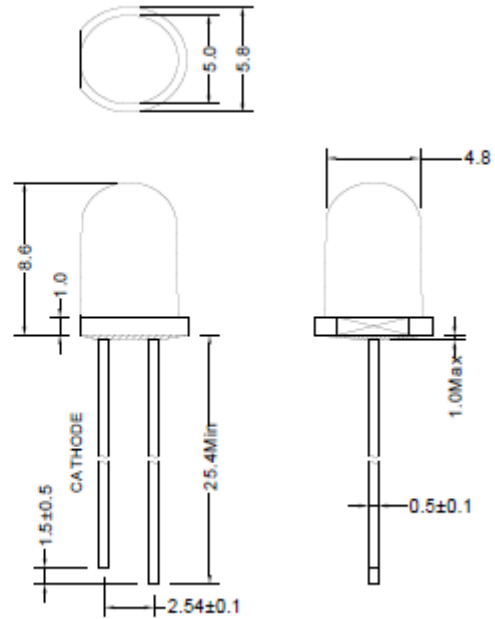


➤ Features/特征:

- Single color/单色
- High Power output/高功率输出
- Low power consumption/低功耗
- High reliability and long life/
可靠性高、寿命长
- RoHS compliant/符合 RoHS 标准

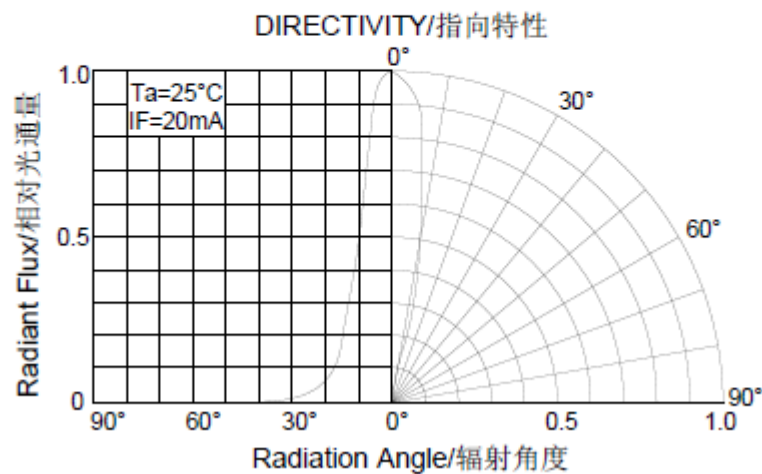
➤ Descriptions/描述:

- Dice material/芯片材质: AlGaAs
- Emitting Color/发光颜色:
Infrared Emitting diodes/发射管
- Device Outline/产品外形:
φ 5mm Round Type/φ 5mm 圆形
- Lens Type/胶体颜色:
Water clear /无色透明



1. All dimensions are millimeters/单位: mm.
2. Tolerance is +/-0.20mm unless otherwise noted/
没有标注的公差均为±0.20mm.

➤ Directivity/指向特性:



➤ Absolute maximum ratings/极限参数 (Ta = 25°C)

Parameter 参数	Symbol 符号	Test Condition 测试条件	Values 数值		Unit 单位
			Min.	Max.	
Power Dissipation 损耗功率	P _d	—	—	100	mW
Reverse Voltage 反向电压	V _R	I _R =10 μ A	9	—	V
Forward Current 正向工作电流	I _{FM}	Duty=0.01mS 1kHz	—	1000	mA
Operating Temperature 工作温度范围	T _{opr}	—	-40	+85	°C
Storage Temperature 储存温度范围	T _{str}	—	-40	+100	°C
Soldering Temperature 焊接温度	T _{sd}	t ≤ 3sec, 2mm from base	—	260	°C

➤ Electrical and optical characteristics/光电参数 (Ta = 25°C)

Parameter 参数	Symbol 符号	Test Condition 测试条件	Values 数值			Unit 单位
			Min.	Typ.	Max.	
Forward Voltage 正向电压	V _F	I _F = 50mA	—	1.45	1.8	V
Reverse Current 反向电流	I _R	V _R = 9V	—	—	10	μ A
Peak Wavelength 峰值波长	λ _p	I _F = 50mA	—	850	—	nm
Spectral Line half-width 半波长宽度	Δ λ	I _F = 50mA	—	40	—	nm
Radiant Intensity 发射强度	I _e	I _F =50mA	—	130	—	mW/Sr
Viewing Angle 指向角度	2 θ _{1/2}	I _F =20mA	—	20	—	deg.