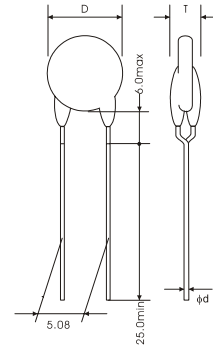


Characteristics

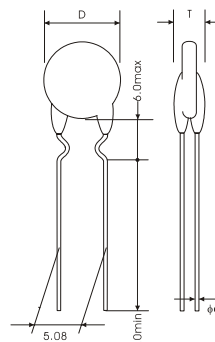
1. MZ11 series PTC thermistor is pin resin coated parts.
2. Suitable to operate continuously in 250/265V_{AC} (high resistance state)
3. Has complete parts
4. Long stability.
5. Do not need to be reset after protection.
6. No contact point, no noise.



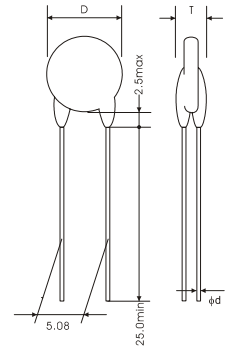
Side kinked pins

Application

1. Switch power supply
2. Transformer, adapter.
3. Electronic coil, control panel
4. Home electric appliance (air-conditioner, microwave oven, etc.)
5. Electronic circuit.



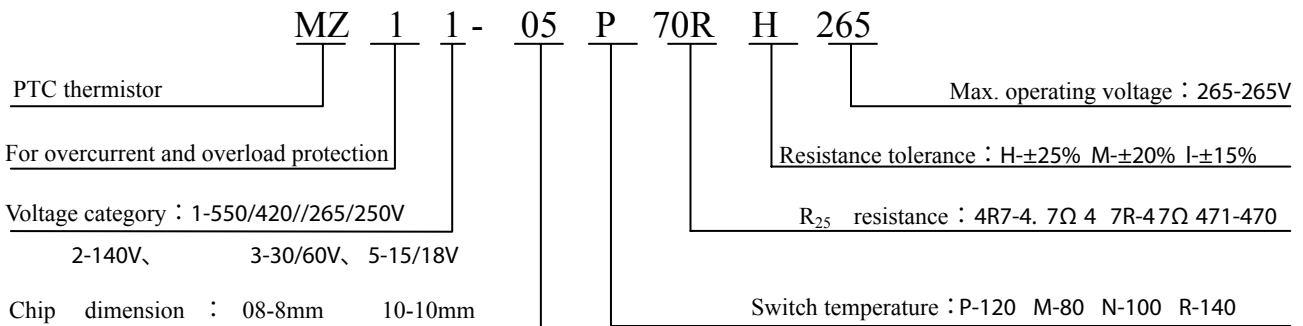
Inner kinked pins



Straight pins

Dimension Unit (mm)

Part number explanation



Data Sheet

Part number	Resistance R ₂₅ (Ω) ±25%	Non-trip current I _{nt} (mA)		Trip current @25 I _t (mA)	Max. operating voltage V _{max} (V)	Max. current I _{max} (A)	Switch temperature T _c ()	Dimension (mm)		
		@25	@60					D _{max}	T _{max}	φd
MZ11-20P3R7H265	3.7	530	430	1050	265	4.3	120 (P)	22.0	5.0	0.6
*MZ11-16P6R0H265	6.0	390	300	780	265	3.1		17.5	5.0	0.6
*MZ11-16P7R0H265	7.0	350	280	700	265	3.1		17.5	5.0	0.6
MZ11-13P10RH265	10	260	200	520	265	1.8		4.0	5.0	0.6
MZ11-13P12RH265	12	225	180	450	265	1.8		4.0	5.0	0.6
*MZ11-12P10RH265	10	250	200	500	265	1.8		3.5	5.0	0.6
*MZ11-10P15RH265	15	180	140	350	265	1.2		1.0	5.0	0.6
*MZ11-10P39RH265	39	130	100	250	265	1.2		1.0	5.0	0.6
MZ11-08P15RH50	15	150	120	300	250	0.8		120 (P)	9.0	5.0
*MZ11-08P25RH265	25	130	100	250	265	0.8	9.0		5.0	0.6



*MZ11-08P35RH265	35	115	90	225	265	0.8	100 (N)	9.0	5.0	0.6	
*MZ11-08P45RH265	45	105	80	200	265	0.8		9.0	5.0	0.6	
MZ11-08P55RH265	55	90	70	180	265	0.8		9.0	5.0	0.6	
MZ11-07P82RH265	82	70	50	140	265	0.6		8.0	5.0	0.6	
MZ11-07P56RH265	56	90	60	175	265	0.6		8.0	5.0	0.6	
MZ11-06P33RH250	33	110	85	200	250	0.4		7.0	4.5	0.6	
*MZ11-05P70RH265	70	65	50	130	265	0.3		6.5	5.0	0.6	
*MZ11-05P85RH265	85	60	45	120	265	0.3		6.5	5.0	0.6	
MZ11-05P39RH250	39	80	65	160	250	0.2		6.5	5.0	0.6	
*MZ11-05P121H265	120	45	35	90	265	0.3		6.5	5.0	0.6	
MZ11-05P181H265	180	40	30	80	265	0.3		6.5	5.0	0.6	
MZ11-04P70RH250	70	50	40	100	250	0.2		5.5	5.0	0.6	
MZ11-04P121H265	120	40	30	80	265	0.2		5.5	5.0	0.6	
MZ11-03P151H250	150	40	30	75	250	0.2		4.5	5.0	0.5	
*MZ11-10N12RH250	12	170	130	340	250	1.2	100 (N)	11.0	5.0	0.6	
MZ11-10N18RH265	18	145	110	290	265	1.2		11.0	5.0	0.6	
*MZ11-10N22RH265	22	125	90	250	265	1.2		11.0	5.0	0.6	
MZ11-07N22RH250	22	120	90	225	250	0.5		8.0	5.0	0.6	
*MZ11-05N151H265	150	38	30	80	265	0.3		6.5	5.0	0.6	
*MZ11-05N801H265	300	27	20	55	265	0.3		6.5	5.0	0.6	
*MZ11-05N601H265	600	20	15	40	265	0.2		6.5	5.0	0.6	
MZ11-05N102H265	1000	15	12	30	265	0.2		6.5	5.0	0.6	
MZ11-04N151H265	150	36	28	80	265	0.3		5.5	5.0	0.6	
MZ11-03N151H265	150	33	25	65	265	0.2		4.5	5.0	0.5	
MZ11-03N101H250	100	40	30	80	250	0.2		4.5	5.0	0.5	
MZ11-03N70RH250	70	45	35	90	250	0.1		4.5	5.0	0.5	
MZ11-08M2RH250	12	120	70	220	250	0.8		80 (M)	9.0	5.0	0.6
MZ11-08M5RH265	25	85	50	170	265	0.8			9.0	5.0	0.6
MZ11-08M5RH265	35	80	50	150	265	0.8	9.0		5.0	0.6	
MZ11-08M50RH265	50	60	40	120	265	1.0	9.0		5.0	0.6	
MZ11-07M01H265	100	50	30	100	265	0.6	8.0		5.0	0.6	
MZ11-05M70RH250	70	50	30	100	250	0.3	6.5		5.0	0.6	
MZ11-05M21H265	120	30	20	60	265	0.3	6.5		5.0	0.6	
MZ11-03M01H250	100	25	18	55	250	0.2	4.5		5.0	0.5	
MZ11-03M151H265	150	22	15	45	265	0.2	4.5		5.0	0.5	

Transformer protection (For application in transformer wire coil)

Part number	Resistance R _{ts} (Ω) ±25%	Non-trip current I _{nt} (mA)		Trip current @25 I _t (mA)	Max. operating voltage V _{max} (V)	Max. current I _{max} (A)	Switch temperature T _c ()	Dimension (mm)		
		@25	@80					D _{max}	T _{max}	Φd
MZ11-05N121H265	120	45	25	90	265	0.4	100 (N)	6.5	5.0	0.6
*MZ11-05N151H265	150	38	20	80	265	0.4		6.5	5.0	0.6
MZ11-07N22RH265	22	110	60	220	265	0.7	100 (N)	8.0	4.5	0.6
MZ11-07N32RH265	32	95	50	190	265	0.7		8.0	4.5	0.6



MZ11-07N55RH265	55	70	40	140	265	0.7	120 (P)	8.0	5.0	0.6
MZ11-08N30RH265	30	100	55	200	265	1.0		9.0	5.0	0.6
MZ11-08N35RH265	35	90	50	180	265	1.0		9.0	5.0	0.6
MZ11-08N40RH265	40	85	45	170	265	1.0		9.0	5.0	0.6
MZ11-08N39RH265	39	95	50	180	265	1.2		9.5	5.0	0.6
MZ11-08N25RH265	25	110	60	220	265	1.2		9.5	5.0	0.6
*MZ11-10N22RH265	22	125	70	250	265	1.5		11.0	5.0	0.6
MZ11-10N18RH265	18	145	80	290	265	1.5		11.0	5.0	0.6
*MZ11-10N12RH265	12	170	95	340	265	1.5		11.0	5.0	0.6
MZ11-12N18RH265	18	180	100	360	265	2.0		13.5	5.0	0.6
MZ11-12N12RH265	12	210	120	420	265	2.0	13.5	5.0	0.6	

Transformer protection (For application outside transformer wire coil)

Part number	Resistance R ₂₅ (Ω) ±25%	Non-trip current I _{nt} (mA)		Trip current @25 I _t (mA)	Max. operating voltage V _{max} (V)	Max. current I _{max} (A)	Switch temperature T _c ()	Dimension (mm)		
		@25	@60					D _{max}	T _{max}	Φd
*MZ11-16P6RH265	6.0	390	300	780	265	3.1	120 (P)	17.5	5.0	0.6
MZ11-13P10RH265	10	260	200	520	265	1.8		14.0	5.0	0.6
*MZ11-12P10RH265	10	250	200	500	265	1.8		13.5	5.0	0.6
*MZ11-10P15RH265	15	180	140	350	265	1.2		11.0	5.0	0.6
*MZ11-08P25RH265	25	130	100	250	265	0.8		9.0	5.0	0.6
*MZ11-08P35RH265	35	115	90	225	265	0.8		9.0	5.0	0.6
*MZ11-08P45RH265	45	105	80	200	265	0.8		9.0	5.0	0.6
MZ11-08P55RH265	55	90	70	180	265	0.8		9.0	5.0	0.6
*MZ11-05P70RH265	70	65	50	130	265	0.3		6.5	5.0	0.6
MZ11-03P151H250	150	40	30	75	250	0.2		4.5	5.0	0.5

Notes:

- 1.Part number with * indicates that the part has been UL listed (UL No. E243011).
- 2.R₂₅ resistance tolerance can be selected upon customer's requirement.
- 3.Pin kinked form can be selected.
- 4.Packing can be made upon customer's requirement.