

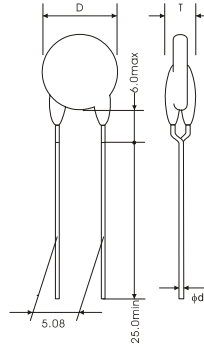
## Characteristics

1. MZ12 series PTC thermistor is pin resin coated parts.
2. Suitable to operate continuously in 140V<sub>AC</sub> (high resistance state)
3. Has complete parts
4. Long stability.
5. Do not need to be reset after protection.
6. No contact point, no noise.



## Application

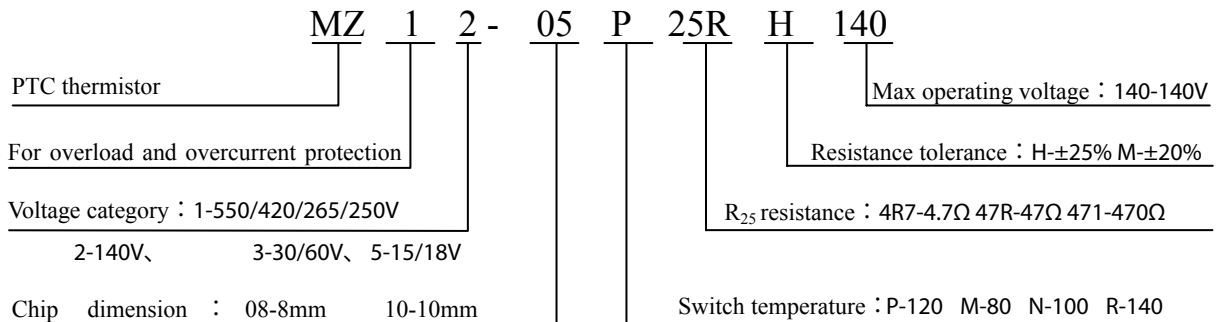
1. Motor
2. Transformer, adapter.
3. Switch power supply
4. Control panel
5. Electronic circuits.



MZ12 series

## Dimension (Unit : mm)

## Part number explanation



## Data Sheet

Part Number	Resistance R <sub>25</sub> (Ω) ±25%	Non-trip current I <sub>nt</sub> (mA)		Trip current @25 I <sub>t</sub> (mA)	Max. operating voltage V <sub>max</sub> (V)	Max. current I <sub>max</sub> (A)	Switch temperature T <sub>c</sub> (°C)	Dimension (mm)		
		@25	@60					D <sub>max</sub>	T <sub>max</sub>	Φd
MZ12-20P2R6H140	2.6	650	500	1300	140	4.3	120 (P)	22.0	5.0	0.6
*MZ12-16P4R7H140	4.7	425	330	850	140	3.1		17.5	5.0	0.6
*MZ12-16P5R6H140	5.6	400	310	800	140	3.1		17.5	5.0	0.6
MZ12-13P6R8H140	6.8	325	250	650	140	1.8		14.0	5.0	0.6
*MZ12-12P5R6H140	5.6	325	250	650	140	1.8		13.5	5.0	0.6
*MZ12-12P6R8H140	6.8	300	230	600	140	1.8		13.5	5.0	0.6
*MZ12-10P10RH140	10	225	170	450	140	1.2		11.0	5.0	0.6
*MZ12-10P6R8H140	6.8	275	200	550	140	1.2		11.0	5.0	0.6
*MZ12-08P22RH140	22	135	110	270	140	0.8		9.0	5.0	0.6
MZ12-06P25RH140	25	125	90	250	140	0.5		7.0	5.0	0.6
*MZ12-05P33RH140	33	90	70	175	140	0.3		6.5	5.0	0.6
MZ12-16R2RIH140	2.1	710	570	1420	140	3.1	140 (R)	17.5	5.0	0.6



MZ12-13R3R8H140	3.8	500	400	1000	140	1.8	140 (R)	14.0	5.0	0.6
MZ12-10R15RH140	15	210	170	420	140	1.2		11.0	5.0	0.6
MZ12-10R6R7H140	6.7	300	230	600	140	1.2		11.0	5.0	0.6
MZ12-10R10RH140	10	250	200	500	140	1.2		11.0	5.0	0.6
MZ12-08R12RH140	12	200	160	400	140	0.6		9.0	5.0	0.6

Notes:

1. Part number with \* indicates that the part has been UL listed (UL No. E243011).
2. R<sub>25</sub> resistance tolerance can be selected upon customer's requirement.
3. Pin kinked form can be selected.
4. Packing can be made upon customer's requirement.