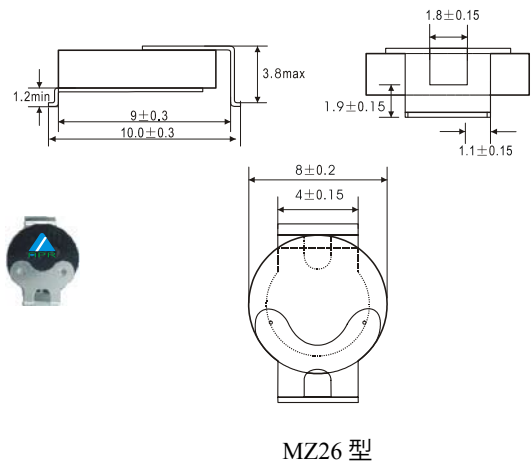


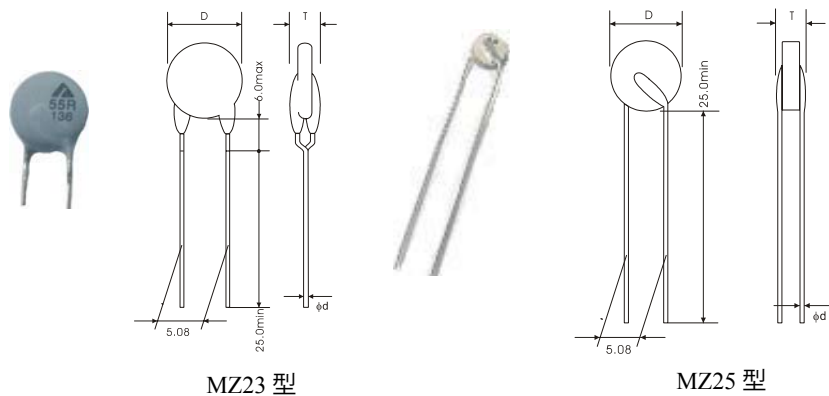
### Characteristics

- MZ23 series is pin coated part,  
MZ25 series is pin form without coating,  
MZ26 is SMD parts.
- Satisfy ITU-T K20 K21 requirement.
  - Surge current (10/700 $\mu$ s)
  - Induction voltage (600V,1A,0.2S)
  - Power line contact (230V,15min.)
- Operates continuously in 110/230V<sub>AC</sub> (high resistance state)
- Narrow resistance tolerance (resistance matching)
- Long stability
- Quick response.
- Do not need to be reset after protection.



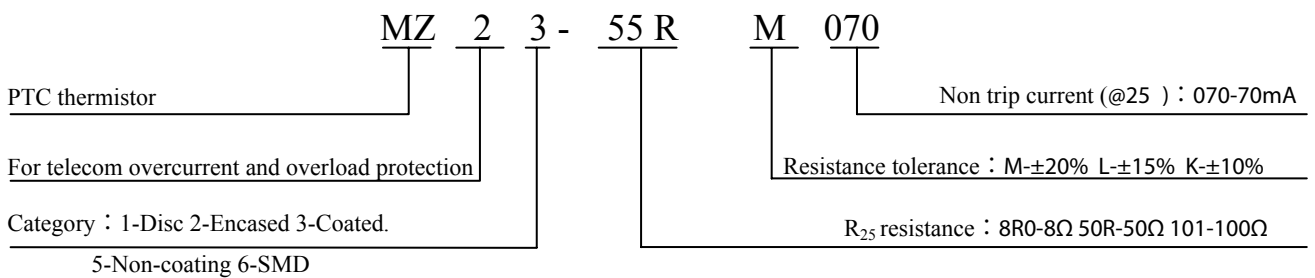
### Application

- Telecom switch
- Main distribution frame (MDF)
- Telephone
- Customer premises equipment.
- Telecom equipment.



### Dimension (Unit : mm)

### Part number explanation



### Data Sheet

Part number	Resistance R <sub>25</sub> ( $\Omega$ ) ±20%	Non-trip current Int (mA)		Tripcurrent @25 It (mA)	Tripping time at max current t(Sec)	Max. current I <sub>max</sub> (A)	Max. voltage V <sub>max</sub> (V)	Fail model	Dimension (mm)		
		@25	@40						D <sub>max</sub>	T <sub>max</sub>	Φd
MZ23-10RM130	10	130	100	260	<0.2	3.0	250	250V/10A	7.5	4.0	0.6
MZ23-12RM130	12	130	100	260	<0.3	2.0	250	250V/10A	9.0	5.0	0.6
MZ23-12RM090	12	90	60	160	<0.2	2.0	250	250V/10A	9.0	5.0	0.6
MZ23-20RM100	20	100	80	200	<0.2	3.0	250	250V/10A	9.0	4.0	0.6
MZ23-35RM090	35	90	75	180	<0.2	3.0	250	250V/5A	9.0	5.0	0.6



MZ23-40RM080	40	80	70	160	<0.2	3.0	250	250V/5A	9.0	5.0	0.6	
MZ23-50RM070	50	70	60	150	<0.2	3.0	250	250V/5A	9.0	5.0	0.6	
MZ23-50RM075	50	75	60	150	<0.2	3.0	650	650V/10A	9.5	5.0	0.6	
MZ23-55RM070	55	70	60	150	<0.2	3.0	650	650V/10A	9.5	5.0	0.6	
MZ25-9R0M160	9	160	130	330	<0.8	3.0	250	250V/10A	10.5	4.5	0.6	
MZ25-25RM100	25	100	80	220	<0.2	3.0	250	250V/10A	6.6	4.0	0.6	
MZ25-25RM120	25	120	100	300	<0.4	3.0	250	250V/10A	8.2	4.0	0.6	
MZ26-10RM180SMD	10	180	140	360	<5.0	1.0	250	250V/10A	/	/	/	
MZ26-25RM130SMD	25	130	100	270	<0.3	3.0	250	250V/10A	/	/	/	
MZ26-50RM090SMD	50	90	70	190	<0.2	3.0	250	250V/5A	/	/	/	
MZ26-20RM100SMD	20	100	80	200	<0.2	3.0	250	250V/10A	/	/	/	

- Notes :
1. R<sub>25</sub> resistance tolerance and resistance matching can be selected upon customer's requirement.
  2. Packing can be selected upon customer's requirement.