

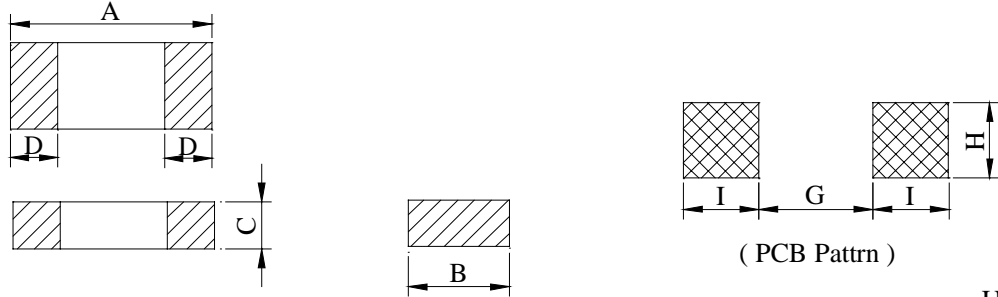
# SPECIFICATION FOR APPROVAL

REF :

PAGE: 1

PROD. NAME	MULTILAYER CHIP BEAD	ABC'S DWG NO.	SM□□□□□□□□L□
		ABC'S ITEM NO.	

## I . CONFIGURATION & DIMENSIONS :



Unit : m/m

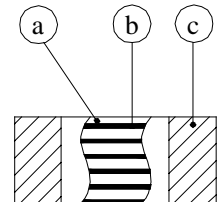
Series	A	B	C	D	G	H	I
SM4532	4.5±0.2	3.2±0.2	1.5±0.2	0.60±0.4	3.0	3.0	1.5
SM4516	4.5±0.2	1.6±0.2	1.6±0.2	0.60±0.4	3.0	1.4	1.5
SM3266	3.2±0.2	1.6±0.2	1.6±0.2	0.60±0.4	2.2	1.4	1.1
SM3261	3.2±0.2	1.6±0.2	1.1±0.2	0.60±0.4	2.2	1.4	1.1
SM2029	2.0±0.2	1.2±0.2	0.9±0.2	0.50±0.3	1.0	1.0	1.0
SM1608	1.6±0.2	0.8±0.2	0.8±0.2	0.30±0.2	0.7	0.7	0.7

## II . SCHEMATIC DIAGRAM :



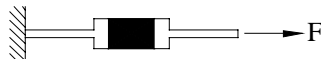
## III . MATERIALS :

- a . Body : Ferrite
- b . Internal conductor : Silver or Ag / Pd
- c . Terminal electrode : Ag/Ni/Sn (Lead content 100ppm max.)
- d . Remark : Ferrite body is exempted with lead content under RoHS regulation



## IV . GENERAL SPECIFICATION :

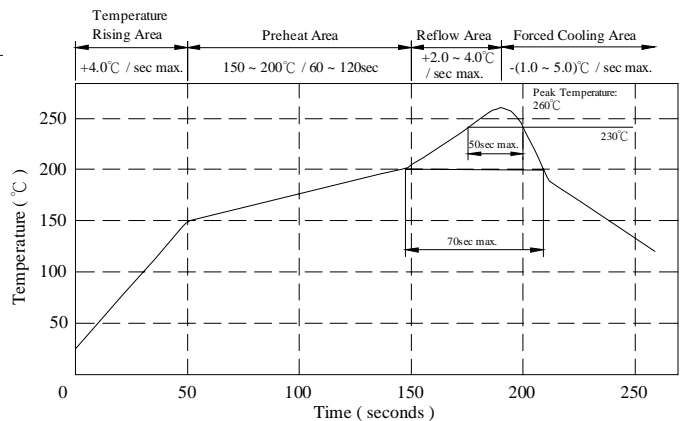
- a . Storage temp. : -40°C ---- +105°C
- b . Operating temp. : -25°C ---- +85°C
- c . Terminal Strength :



Type	F ( kgf )	time ( sec )
SM4532	1.5	30±5
SM4516	1.0	
SM3261	1.0	
SM3266	1.0	
SM2029	0.6	
SM1608	0.5	

- d . Solderability : Preheat : 150±25°C for 60 seconds  
 Solder : Sn96.5 / Ag3 / Cu0.5 or equivalent  
 Solder temp. : 260±5°C  
 Flux : Rosin  
 Dip time : 4±1 seconds

Peak Temp : 260°C max.  
 Max time above 230°C : 50sec max.  
 Max time above 200°C : 70sec max.



# SPECIFICATION FOR APPROVAL

REF :

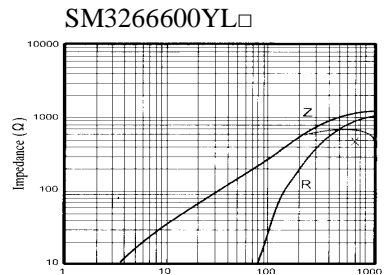
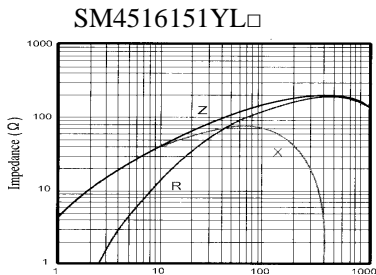
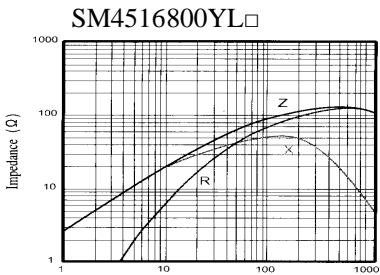
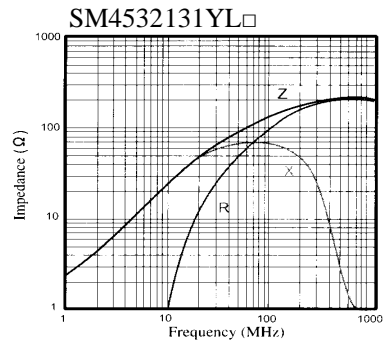
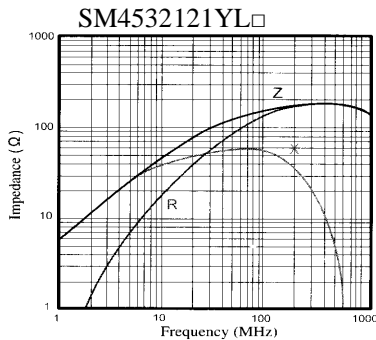
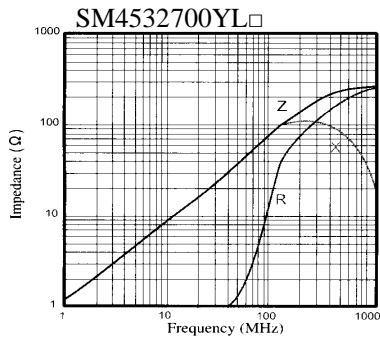
PAGE: 2-1

PROD. NAME	MULTILAYER CHIP BEAD	ABC'S DWG NO.	SM□□□□□□□□L□
		ABC'S ITEM NO.	

## V . ELECTRICAL CHARACTERISITCS :

DWG No.	Impedance (Ω) at 100MHz	RDC (Ω) max.	IDC (mA) max.
SM4532700YL□	70±25%	0.3	300
SM4532121YL□	120±25%	0.3	300
SM4532131YL□	125±25%	0.3	300
SM4516800YL□	80±25%	0.3	300
SM4516151YL□	150±25%	0.3	300
SM3266600YL□	60±25%	0.3	400

1). □ : Packaging Information... **A** Bulk **B** Taping Reel



# SPECIFICATION FOR APPROVAL

REF :

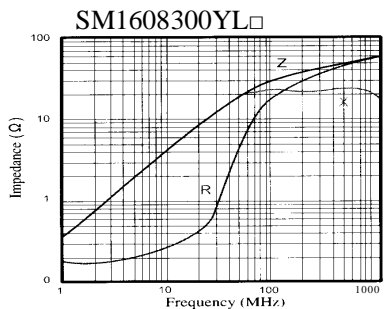
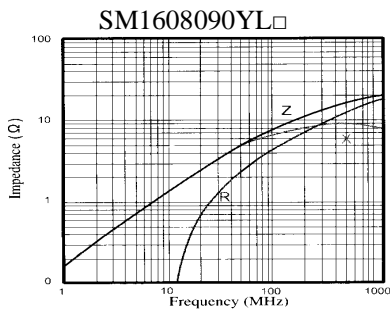
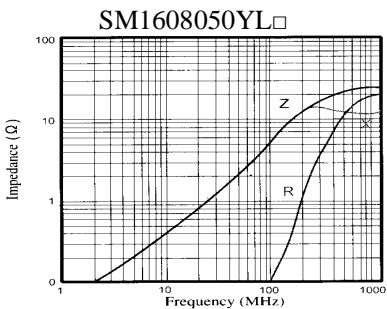
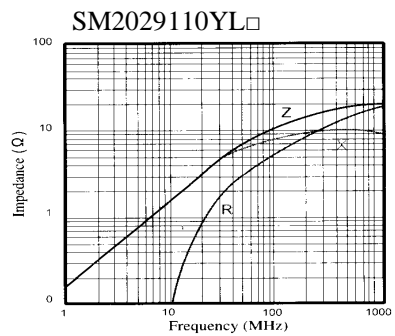
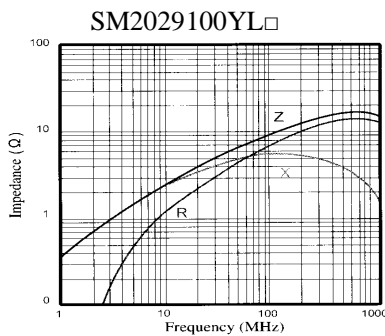
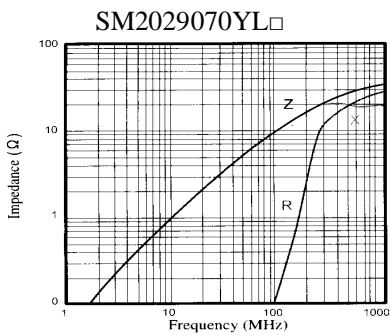
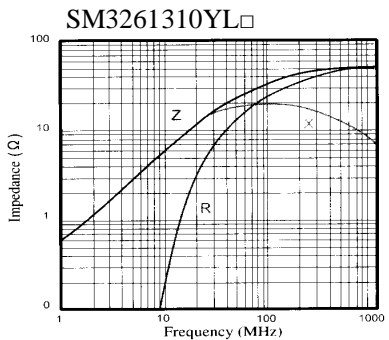
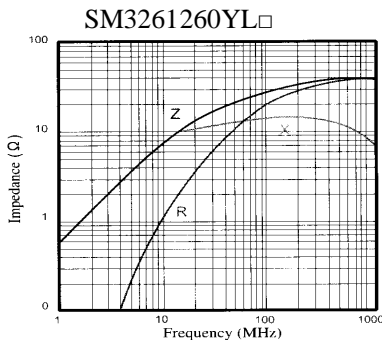
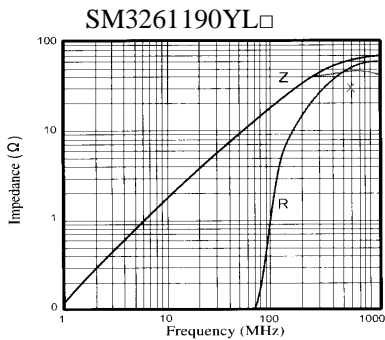
PAGE: 2-2

PROD. NAME	MULTILAYER CHIP BEAD	ABC'S DWG NO.	SM□□□□□□□□L□
		ABC'S ITEM NO.	

## V . ELECTRICAL CHARACTERISTICS :

DWG No.	Impedance (Ω) at 100MHz	RDC (Ω) max.	IDC (mA) max.
SM3261190YL□	19±25%	0.2	500
SM3261260YL□	26±25%	0.2	500
SM3261310YL□	31±25%	0.2	500
SM2029070YL□	7±25%	0.2	600
SM2029100YL□	10±25%	0.2	600
SM2029110YL□	11±25%	0.2	600
SM1608050YL□	5±25%	0.2	600
SM1608090YL□	9±25%	0.2	500
SM1608300YL□	30±25%	0.3	400

1). □ : Packaging Information...  Bulk  Taping Reel



AE-001A

# SPECIFICATION FOR APPROVAL

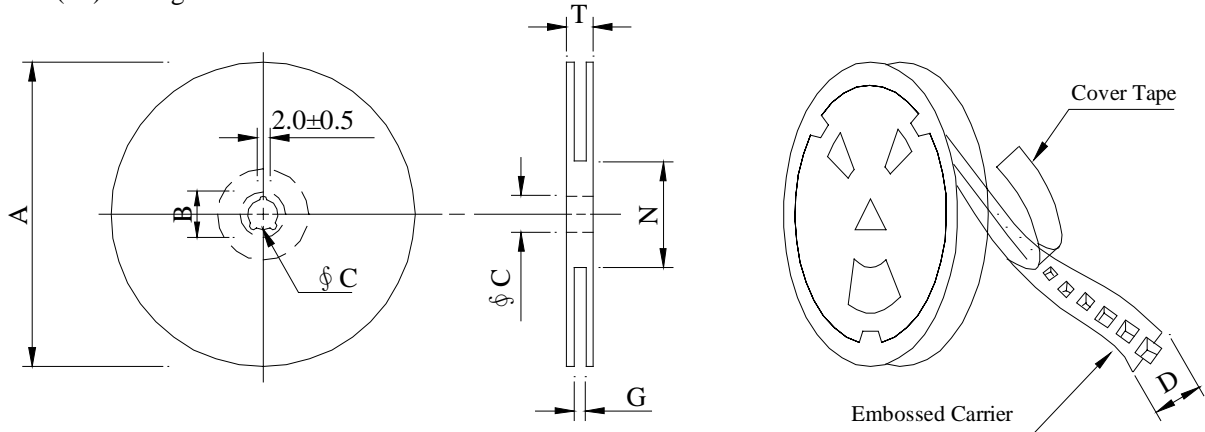
REF :

PAGE: 3

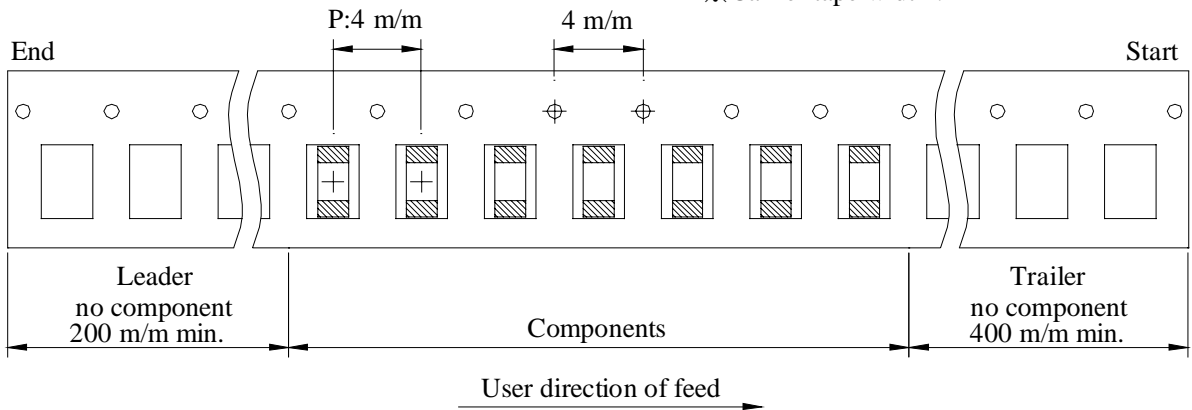
PROD. NAME	MULTILAYER CHIP BEAD	ABC'S DWG NO.	SM□□□□□□□□L□
		ABC'S ITEM NO.	

## VI . PACKAGING INFORMATION :

### ( 1 ) Configuration



※Carrier tape width : D



### ( 2 ) Dimensions

Unit:m/m

Style	A	B	C	D	G	N	T
07 - 08	178	21±0.8	13	8	10 <sup>+0</sup>	50 <sup>-0</sup>	12.5
07 - 12	178	21±0.8	13	12	14 <sup>+0</sup>	50 <sup>-0</sup>	16.5

### ( 3 ) QTY & G.W. Per package

Series	Inner : Reel			Outer : Carton		
	Q'TY (pcs)	G.W. (gw)	Style	Q'TY (kpcs)	G.W. (Kg)	Size (cm)
SM1608	4,000	90	07 - 08	200	7.0	41 x 39 x 22
SM2029	4,000	120	07 - 08	200	8.5	41 x 39 x 22
SM3261	3,000	150	07 - 08	120	8.5	41 x 39 x 22
SM3266	2,000	140	07 - 08	80	8.2	41 x 39 x 22
SM4516	2,000	180	07 - 12	80	9.7	41 x 39 x 22
SM4532	1,000	170	07 - 12	30	9.3	41 x 39 x 22

AE-001A

# SPECIFICATION FOR APPROVAL

REF :

PAGE: 4

PROD. NAME	MULTILAYER CHIP BEAD	ABC'S DWG NO.	SM□□□□□□□□Lo
		ABC'S ITEM NO.	

( 4 ) TYPE DIMENSIONS

Fig 1.

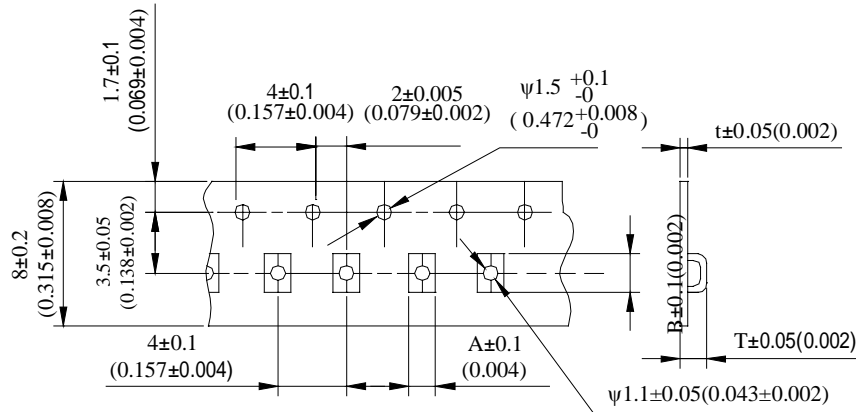
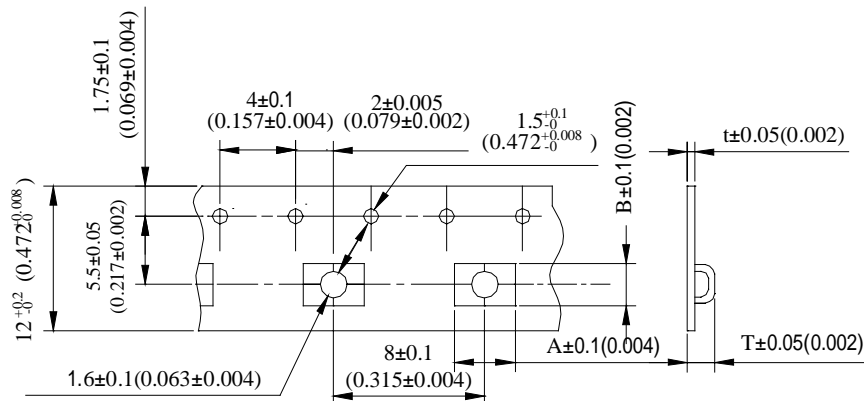


Fig 2.



Unit:m/m

Type	A	B	T	t	Fig
SM1608	1.10	1.9	1.10	0.20	1
SM2029	1.55	2.3	1.20	0.20	1
SM3261	1.90	3.5	1.40	0.20	1
SM3266	1.90	3.5	1.40	0.20	1
SM4516	2.90	4.9	1.40	0.30	2
SM4532	3.60	4.9	2.05	0.30	2

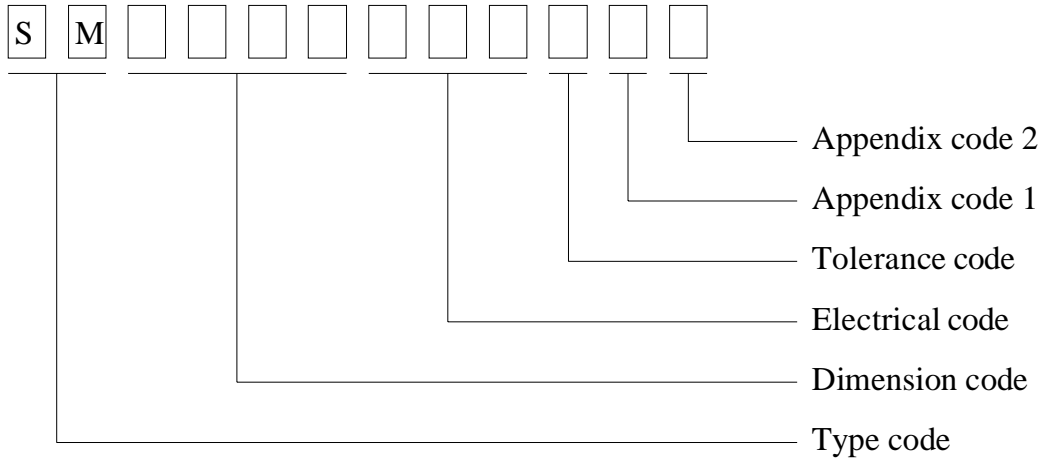
# SPECIFICATION FOR APPROVAL

REF :

PAGE: 5

PROD. NAME	MULTILAYER CHIP BEAD	ABC'S DWG NO.	SM□□□□□□□□L□
		ABC'S ITEM NO.	

## VII . DWG EXPRESSION :



- Appendix code 1 : S : Standard products  
 A~K , M~R , T~Z : Special products  
 L : Standard Lead Free products  
 1 ~ 9 : Special Lead Free products

Appendix code 2 :

Code	Inner package	Inner package Q'TY	Remark
A	Empty	Empty	
B	T / R ( Reel package )	1000 pcs	SM4532
	T / R ( Reel package )	2000 pcs	SM4516
	T / R ( Reel package )	2000 pcs	SM3266
	T / R ( Reel package )	3000 pcs	SM3261
	T / R ( Reel package )	4000 pcs	SM2029
	T / R ( Reel package )	4000 pcs	SM1608