

Approved by:

Checked by:

Issued by:

SPECIFICATION

PRODUCT: CRYSTAL FILTER

MODEL: UM-1-45M

SHOULDER
好达电子

1. SCOPE

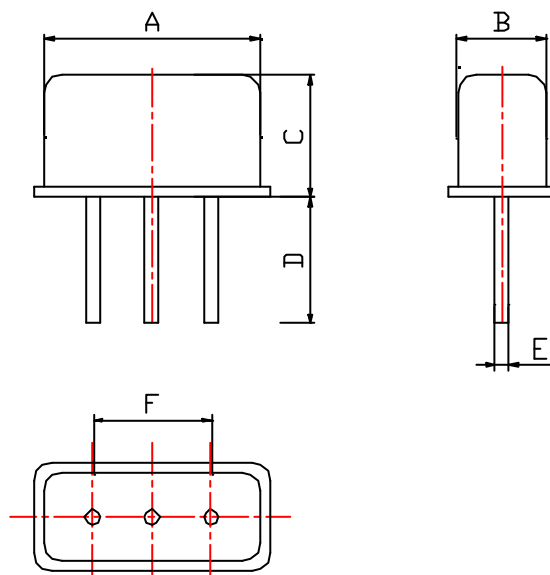
This specification shall cover the characteristics of crystal filter with P/N:

UM-1-45M15B

2. ELECTRICAL SPECIFICATION

ITEM	SPECIFICATION
Holder type	UM-1
Central Frequency	45.0MHz
Number of pole	4 poles
Pass Bandwidth	3dB/ ± 7.50 KHz min.
Stop Bandwidth	40dB/ ± 22.0 KHz max.
Ripple	1.5dB max.
Insertion Loss	3.0dB max.
Terminating Impedance	560 //3.0 pF//10pF
Operating temperature	-20~+70
Aging in one year	3ppm/year

3. DIMENSION



	A	B	C	D	E	F
UM-1	7.8 ± 0.2	3.0 ± 0.2	7.8 ± 0.2	12.5 ± 1.0	0.35 ± 0.05	3.75 ± 0.2