


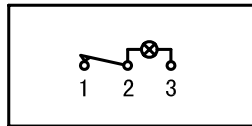


- * Product Name: Rocker Switch;
- * Model No: YSR-11-11(K)/N
- * Voltage Resistance: 2000VAC, 1MIN;
- * Operating Temperature: T85 T105
- * Electrical Life: more than 10,000cycles
- * Contact Rating: UL CUL: 3/6A 250/125VAC, 5/10A 250/125VAC
 6.5/13A 250/125VAC, 10/15A 250/125VAC
 15/20A 250/125VAC, 1/3HP 125VAC
 VDE: 3(1) A 250V ~, 6(2) A 250V ~
 10(4) A 250V ~

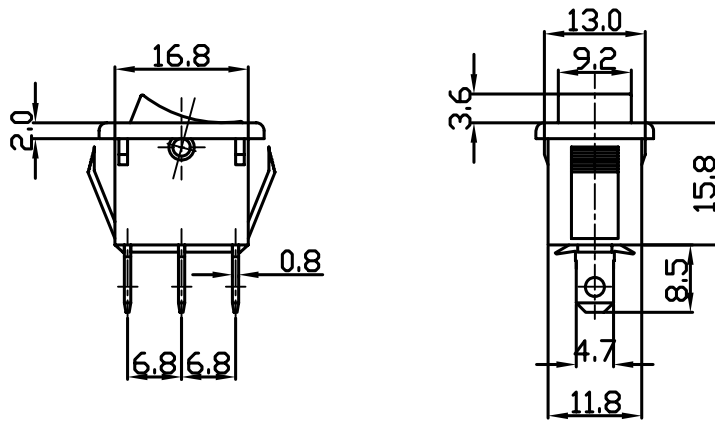


KNOB COLOR	BLACK; RED; GREEN; ORANGE; BLUE; ...
BASE COLOR	GRAY; BLACK; WHITE; ...
KNOB SHAPE	TYPE C: 
Illuminate	YSR-11-11(K)/N 1P1T 3P

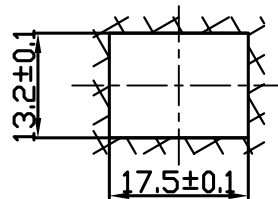
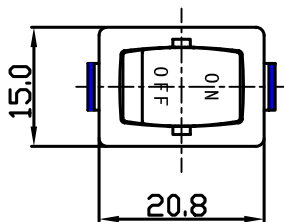
Wiring Diagram



YSR-11-11(K)/N
On-Off (Illuminate)



Panel Installation Size



Panel Installation
Thickness 1 ~ 4mm