



* Product Name: Rocker Switch;

* Model No: YSR-12

* Voltage Resistance: 2000VAC, 1MIN;


* Operating Temperature: T85 T105

* Electrical Life: more than 50,000cycles

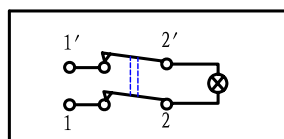
* Contact Rating: UL、CUL: 3/6A 250/125VAC, 5/10A 250/125VAC
 6.5/13A 250/125VAC, 10/15A 250/125VAC
 16A 250/125VAC, 1/3HP 125VAC
 VDE: 3(1)A 250V~, 6(2)A 250V~
 10(4)A 250V~



China Patent: 03228053.X

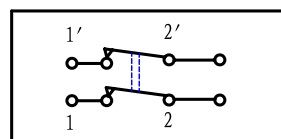
KNOB COLOR	BLACK; RED; GREEN; ORANGE; BLUE; ...		
BASE COLOR	GRAY; BLACK; WHITE; ...		
KNOB SHAPE	TYPE C: 		
Illuminate	YSR-12-21/N 2P1T 4P	Unilluminate	YSR-12-21 2P1T 4P
	YSR-12-11/N 1P1T 3P		YSR-12-11 1P1T 2P

Wiring Diagram



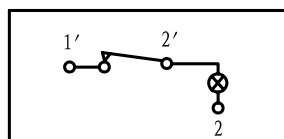
YSR-12-21/N

On-Off (Illuminate)



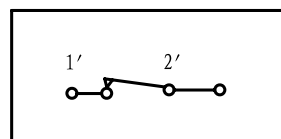
YSR-12-21

On-Off (Unilluminate)



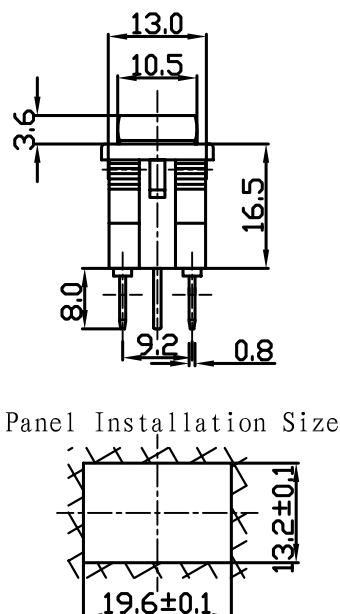
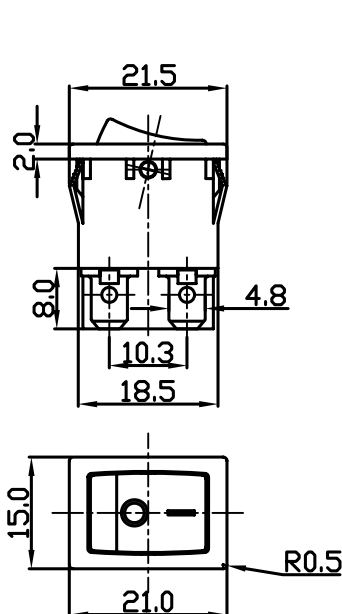
YSR-12-11/N

On-Off (Illuminate)



YSR-12-11

On-Off (Unilluminate)



Panel Installation Size

Panel Installation Thickness 1 ~ 4mm