


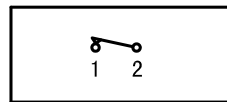


- \* Product Name: Rocker Switch;
- \* Model No: YSR-14-11
- \* Voltage Resistance: 2000VAC, 1MIN;
- \* Operating Temperature: T85
- \* Electrical Life: more than 10,000cycles
- \* Contact Rating: UL CUL: 3/6A 250/125VAC, 5/10A 250/125VAC  
6.5/13A 250/125VAC, 10/15A 250/125VAC  
15/20A 250/125VAC, 1/3HP 125VAC  
VDE: 13A 250V ~

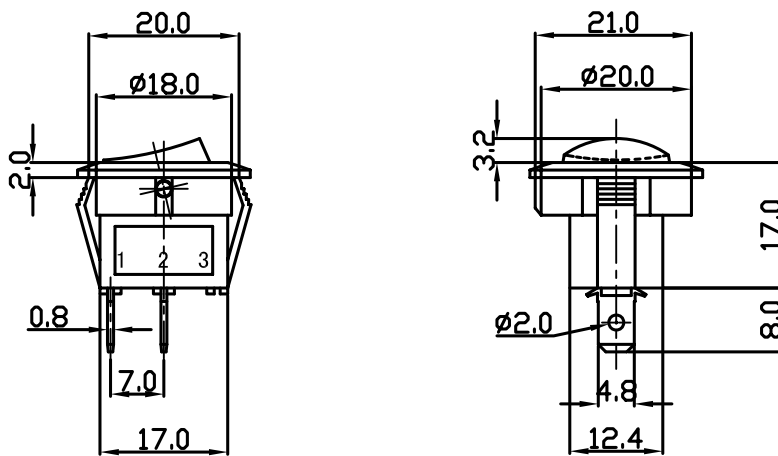


KNOB COLOR	BLACK; RED; GREEN; ORANGE; BLUE; ...
BASE COLOR	GRAY; BLACK; WHITE; ...
KNOB SHAPE	TYPE C: 
Unilluminate	YSR-14-11 1P1T 2P

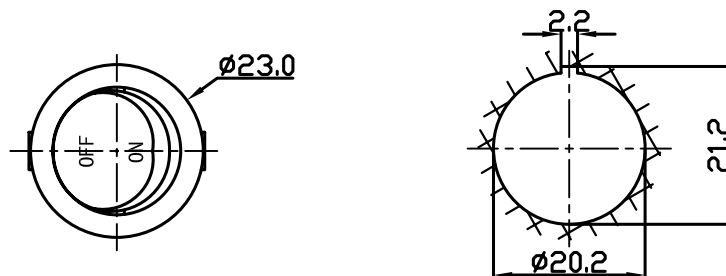
### Wiring Diagram



YSR-14-11  
On-Off (Unilluminate)



### Panel Installation Size



Panel Installation  
Thickness 1 ~ 4mm