



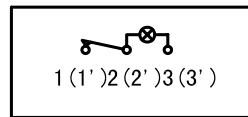


- \* Product Name: Rocker Switch;
- \* Model No: YSR-15-21/N
- \* Voltage Resistance: 2000VAC, 1MIN;
- \* Operating Temperature: T85
- \* Electrical Life: more than 10,000cycles
- \* Contact Rating: UL CUL: 10/15A 250/125VAC, 16/20A 250/125VAC, 1/2HP 125VAC  
VDE: 16A 250V ~

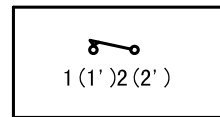


KNOB COLOR	BLACK; RED; GREEN; ORANGE; BLUE; ...		
BASE COLOR	GRAY; BLACK; WHITE; ...		
KNOB SHAPE	TYPE C:  TYPE D: 		
Illuminate	YSR-15-21/N 2P1T 6P	Unilluminate	YSR-15-21 2P1T 4P

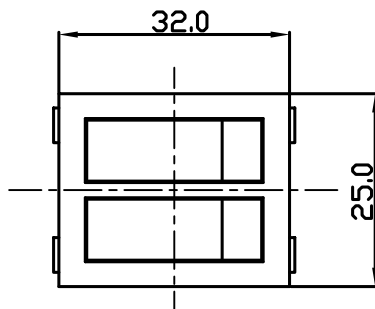
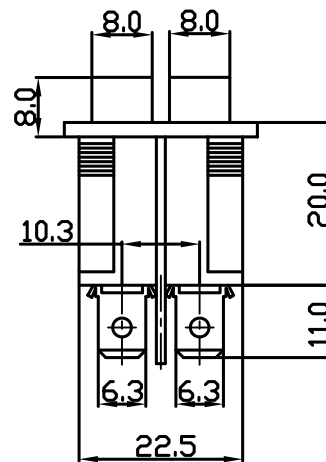
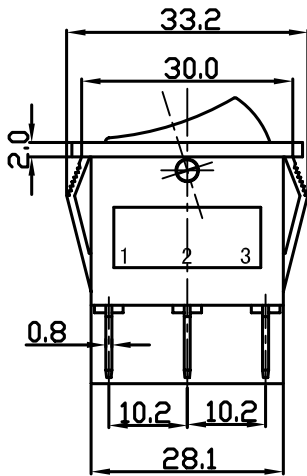
### Wiring Diagram



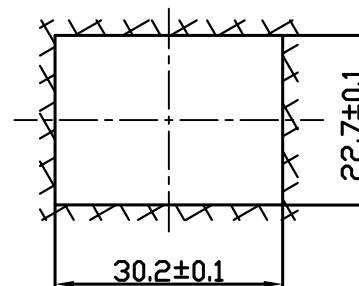
YSR-15-21/N  
On-Off (Illuminate)



YSR-15-21  
On-Off (Unilluminate)



### Panel Installation Size



Panel Installation  
Thickness 1 ~ 4mm