



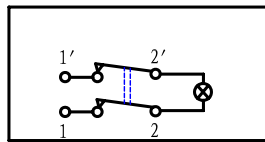


- * Product Name: Rocker Switch;
- * Model No: YSR-7
- * Voltage Resistance: 2000VAC, 1MIN;
- * Operating Temperature: T85 T105
- * Electrical Life: more than 10,000cycles
- * Contact Rating: UL CUL: 10/15A 250/125VAC, 16/20A 250/125VAC , 1/2HP 125VAC
VDE: 10 (4) A 250V ~ , 16 (6) A 250V ~

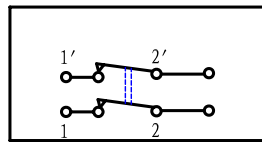


KNOB COLOR	BLACK; RED; GREEN; ORANGE; BLUE;...		
BASE COLOR	GRAY; BLACK; WHITE;...		
KNOB SHAPE	TYPE C:  TYPE D: 	Unilluminate	YSR-7-21 2P1T 4P
Illuminate	YSR-7-21/N 2P1T 4P		YSR-7-22 2P2T 6P YSR-7-23 2P2T 6P

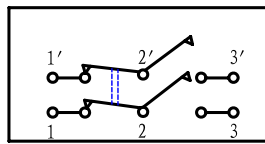
Wiring Diagram



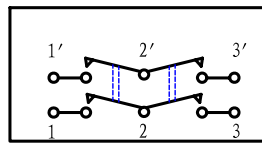
YSR-7-21/N
On-Off (Illuminate)



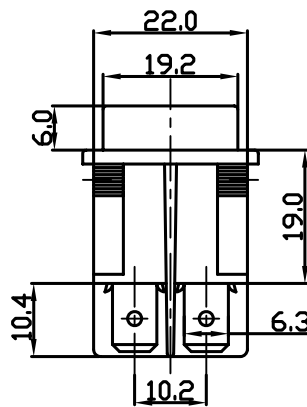
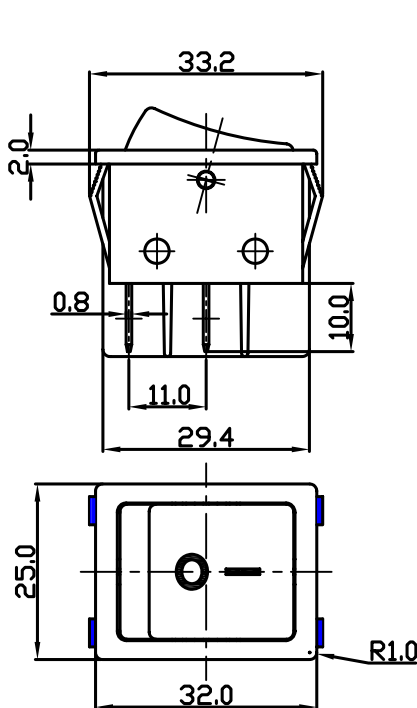
YSR-7-21
On-Off (Unilluminate)



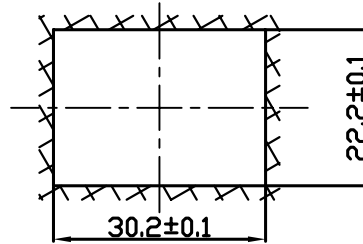
YSR-7-22
On-On (Unilluminate)



YSR-7-23
On-Off-On (Unilluminate)



Panel Installation Size



Panel Installation Thickness 1 ~ 4mm