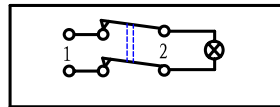




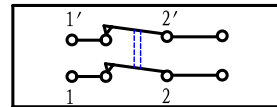
- \* Product Name: Rocker Switch;
- \* Model No: YSR-7(5)
- \* Voltage Resistance: 2000VAC, 1MIN;
- \* Operating Temperature: T85
- \* Electrical Life: more than 10,000cycles
- \* Contact Rating: UL CUL: 10/15A 250/125VAC 16/20A 250/125VAC 1/2HP 125VAC  
VDE: 10(4)A 250V ~ 16(6)A 250V ~

KNOB COLOR	BLACK; RED; GREEN; ORANGE; BLUE; ...		
BASE COLOR	GRAY; BLACK; WHITE; ...		
KNOB SHAPE	TYPE A:	TYPE B:	TYPE C:
Illuminate	YSR-7-21(5)/N 2P1T 6P	Unilluminate	YSR-7-22(5) 2P2T 6P
			YSR-7-23(5) 2P2T 6P

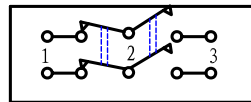
Wiring Diagram



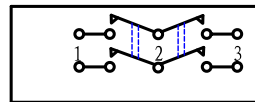
YSR-7-21(5)/N  
On-Off (Illuminate)



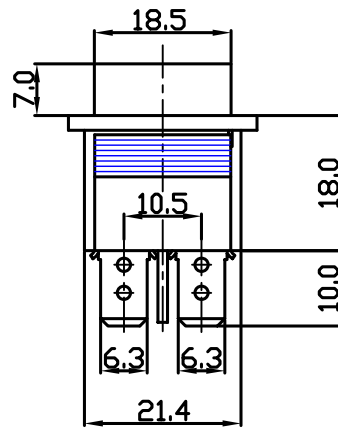
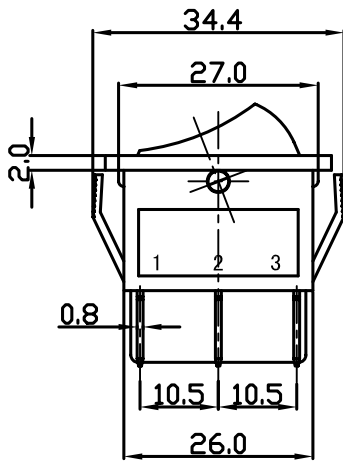
YSR-7-21(5)  
On-Off (Unilluminate)



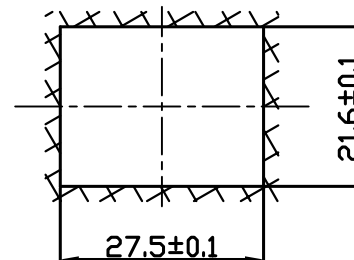
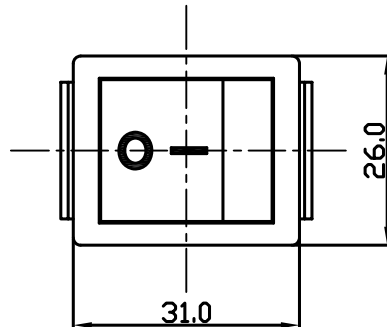
YSR-7-22(5)  
On-On (Unilluminate)



YSR-7-23(5)  
On-Off (Unilluminate)



Panel Installation Size



Panel Installation  
Thickness 1 ~ 4mm