

\* Product Name: Rocker Switch;



\* Model No: YSR-7 (6)

\* Voltage Resistance: 2000VAC, 1MIN;

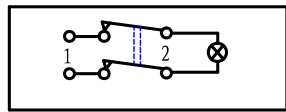
\* Operating Temperature: T85

\* Electrical Life: more than 10,000cycles

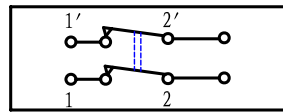
\* Contact Rating: UL CUL: 10/15A 250/125VAC, 16/20A 250/125VAC, 1/2HP 125VAC  
 VDE: 10 (4) A 250V ~, 16 (6) A 250V ~

KNOB COLOR	BLACK; RED; GREEN; ORANGE; BLUE; ...		
BASE COLOR	GRAY; BLACK; WHITE; ...		
KNOB SHAPE	TYPE A:	TYPE B:	TYPE C:
Illuminate	YSR-7-21 (6) /N 2P1T 6P	Unilluminate	YSR-7-22 (6) 2P2T 6P
			YSR-7-23 (6) 2P2T 6P

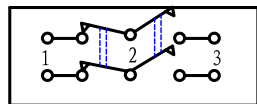
Wiring Diagram



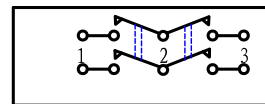
YSR-7-21 (6) /N  
On-Off (Illuminate)



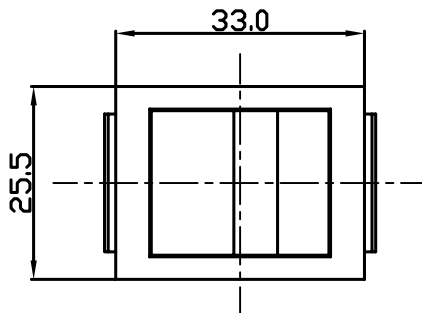
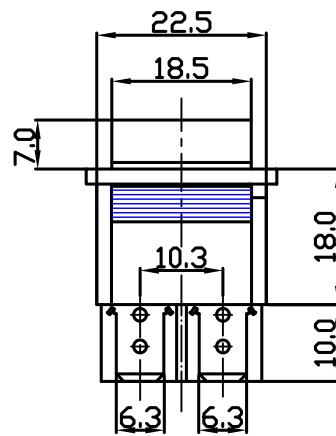
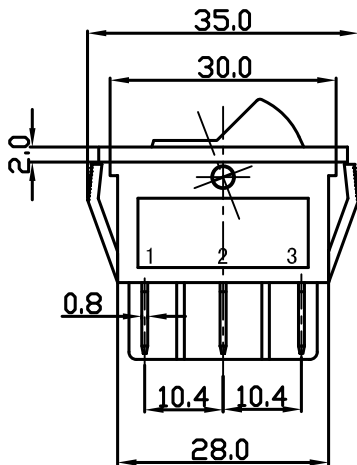
YSR-7-21 (6)  
On-Off (Unilluminate)



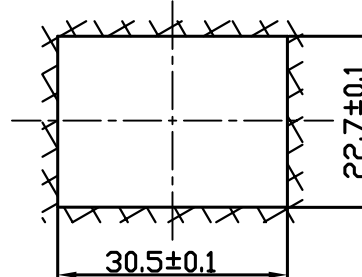
YSR-7-22 (6)  
On-On (Unilluminate)



YSR-7-23 (6)  
On-Off (Unilluminate)



Panel Installation Size



Panel Installation  
Thickness 1 ~ 4mm