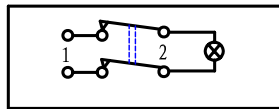




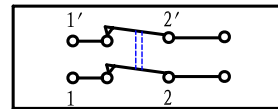
- * Product Name: Rocker Switch;
- * Model No: YSR-7 (7)
- * Voltage Resistance: 2000VAC, 1MIN;
- * Operating Temperature: T85
- * Electrical Life: more than 10,000cycles
- * Contact Rating: UL CUL: 10/15A 250/125VAC, 16/20A 250/125VAC , 1/2HP 125VAC
VDE: 10 (4) A 250V ~ , 16 (6) A 250V ~

KNOB COLOR	BLACK; RED; GREEN; ORANGE; BLUE; ...		
BASE COLOR	GRAY; BLACK; WHITE; ...		
KNOB SHAPE	TYPE A:	TYPE B:	TYPE C:
Illuminate	YSR-7-21 (7) /N 2P1T 6P	Unilluminate	YSR-7-22 (7) 2P2T 6P
			YSR-7-23 (7) 2P2T 6P

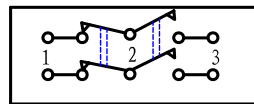
Wiring Diagram



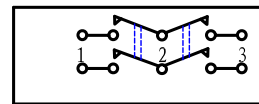
YSR-7-21 (7) /N
On-Off (Illuminate)



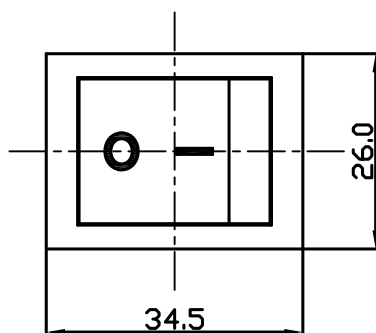
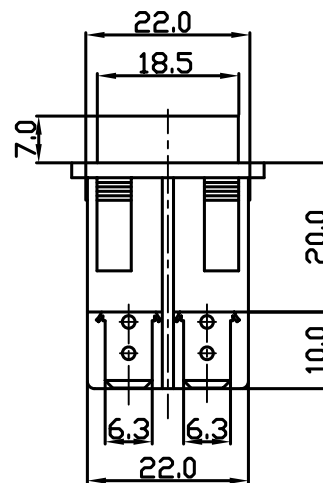
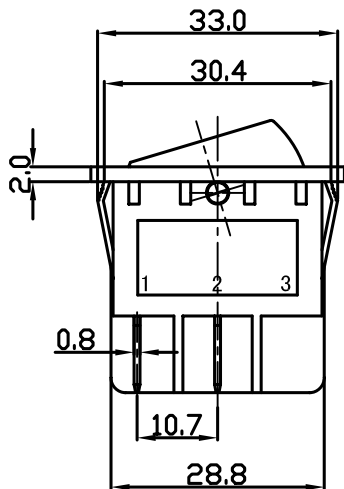
YSR-7-21 (7)
On-Off (Unilluminate)



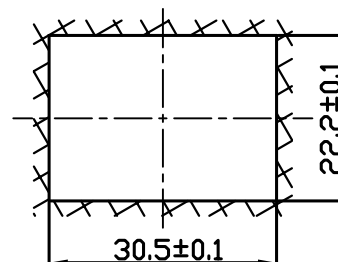
YSR-7-22 (7)
On-On (Unilluminate)



YSR-7-23 (7)
On-Off (Unilluminate)



Panel Installation Size



Panel Installation
Thickness 1 ~ 4mm